

Motorola Semiconductor Engineering Bulletin

EB195

How to Configure the Reset Pin on the MC68HC11

By Janet M. Snyder
Austin, Texas

Introduction

The ideal way to control the reset pin on the MC68HC11 is with a low-voltage inhibit (LVI) circuit.

However, many designers want to use an RC circuit, and they wonder why the *MC68HC11 Reference Manual* Rev. 3 (Motorola document order number M68HC11RM/AD) specifically forbids use of an RC (resistance-capacitance) circuit to reset the MC68HC11.

This engineering bulletin explains why a capacitor should never be connected to the reset pin and describes the correct configuration of reset.



Problems Using an RC Circuit

Connecting a capacitor to the reset pin can cause these two serious problems:

1. Brownouts
2. Long startup times

Brownouts

The worst of the two problems that can occur is a “brownout,” which is a corruption of EEPROM locations during an uncontrolled loss of power. This occurs because as voltage ramps down during a power loss, different parts of the MC68HC11 shut down at different voltage levels. The address and data lines become indeterminate, and it is possible to overwrite several bytes of the EEPROM array before it shuts off.

The only way to prevent this brownout from happening is to assert the reset line before the voltage on the device drops below the specified minimum operating level.

Long Startup Times

The second problem with RC reset circuits is that the MC68HC11 may not start at all because the reset line may not come up fast enough. A capacitor as small as 0.01 μF on the reset line tends to cause unreliable startup because the MC68HC11 can be powered up by the 5-volt V_{DD} before the capacitor is fully charged.

The device’s internal circuitry can haphazardly start in an indeterminate state that causes the MC68HC11 to act as if it should assert reset. This can cause the MC68HC11 to begin asserting reset at about the same time that the capacitor finally finishes charging, thus forcing the reset pin to cross the 4.5-volt threshold. If this happens, the reset line is simultaneously driven by both the RC network and the internal reset circuitry on the MC68HC11. This deadlock cannot be resolved, and it may even cause the reset line to oscillate. To avoid this conflict, reset must be held low during power-up until V_{DD} is above 4.5 volts and steady.

Correct Reset Configuration

The solution to both of these problems — brownouts and long startup times — is the complete elimination of any capacitors on the reset line.

reset should be controlled by a low-voltage inhibit (LVI) circuit. In the *MC68HC11 Reference Manual Rev. 3*, Figure 2-12 shows the recommended reset circuit using the Motorola MC34064 LVI. This device provides an open-drain output to directly drive the reset line. It holds reset low until V_{DD} reaches 4.5 volts on power-up. On a power down, the LVI pulls reset low as soon as V_{DD} drops below 4.5 volts and keeps reset low throughout power down.

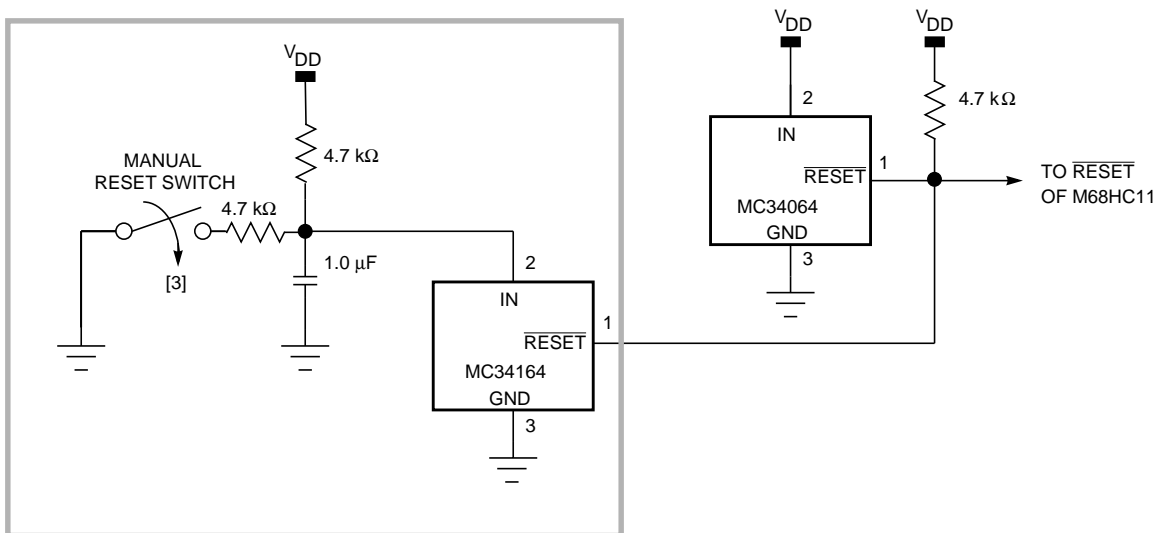



Figure 1. Reset Circuit Example

Motorola reserves the right to make changes without further notice to any products herein. Motorola makes no warranty, representation or guarantee regarding the suitability of its products for any particular purpose, nor does Motorola assume any liability arising out of the application or use of any product or circuit, and specifically disclaims any and all liability, including without limitation consequential or incidental damages. "Typical" parameters which may be provided in Motorola data sheets and/or specifications can and do vary in different applications and actual performance may vary over time. All operating parameters, including "Typicals" must be validated for each customer application by customer's technical experts. Motorola does not convey any license under its patent rights nor the rights of others. Motorola products are not designed, intended, or authorized for use as components in systems intended for surgical implant into the body, or other applications intended to support or sustain life, or for any other application in which the failure of the Motorola product could create a situation where personal injury or death may occur. Should Buyer purchase or use Motorola products for any such unintended or unauthorized application, Buyer shall indemnify and hold Motorola and its officers, employees, subsidiaries, affiliates, and distributors harmless against all claims, costs, damages, and expenses, and reasonable attorney fees arising out of, directly or indirectly, any claim of personal injury or death associated with such unintended or unauthorized use, even if such claim alleges that Motorola was negligent regarding the design or manufacture of the part. Motorola and  are registered trademarks of Motorola, Inc. Motorola, Inc. is an Equal Opportunity/Affirmative Action Employer.

How to reach us:

USA/EUROPE/Locations Not Listed: Motorola Literature Distribution, P.O. Box 5405, Denver, Colorado 80217, 1-800-441-2447 or 1-303-675-2140. Customer Focus Center, 1-800-521-6274

JAPAN: Motorola Japan Ltd.: SPD, Strategic Planning Office, 141, 4-32-1 Nishi-Gotanda, Shinagawa-ku, Tokyo, Japan, 03-5487-8488

ASIA/PACIFIC: Motorola Semiconductors H.K. Ltd., Silicon Harbour Centre, 2 Dai King Street, Tai Po Industrial Estate, Tai Po, New Territories, Hong Kong, 852-26629298

Mfax™, Motorola Fax Back System: RMFAX0@email.sps.mot.com; <http://sps.motorola.com/mfax/>;

TOUCHTONE, 1-602-244-6609; US and Canada ONLY, 1-800-774-1848

HOME PAGE: <http://motorola.com/sps/>

Mfax is a trademark of Motorola, Inc.



MOTOROLA

© Motorola, Inc., 1999

EB195/D