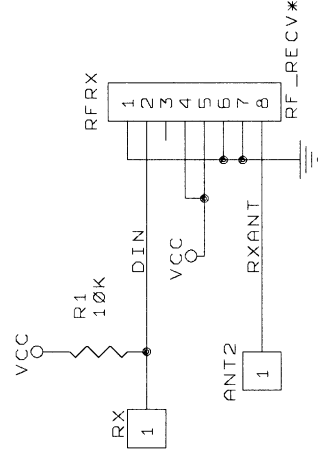
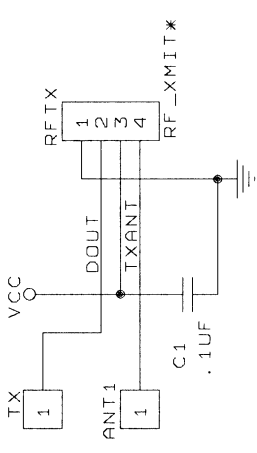
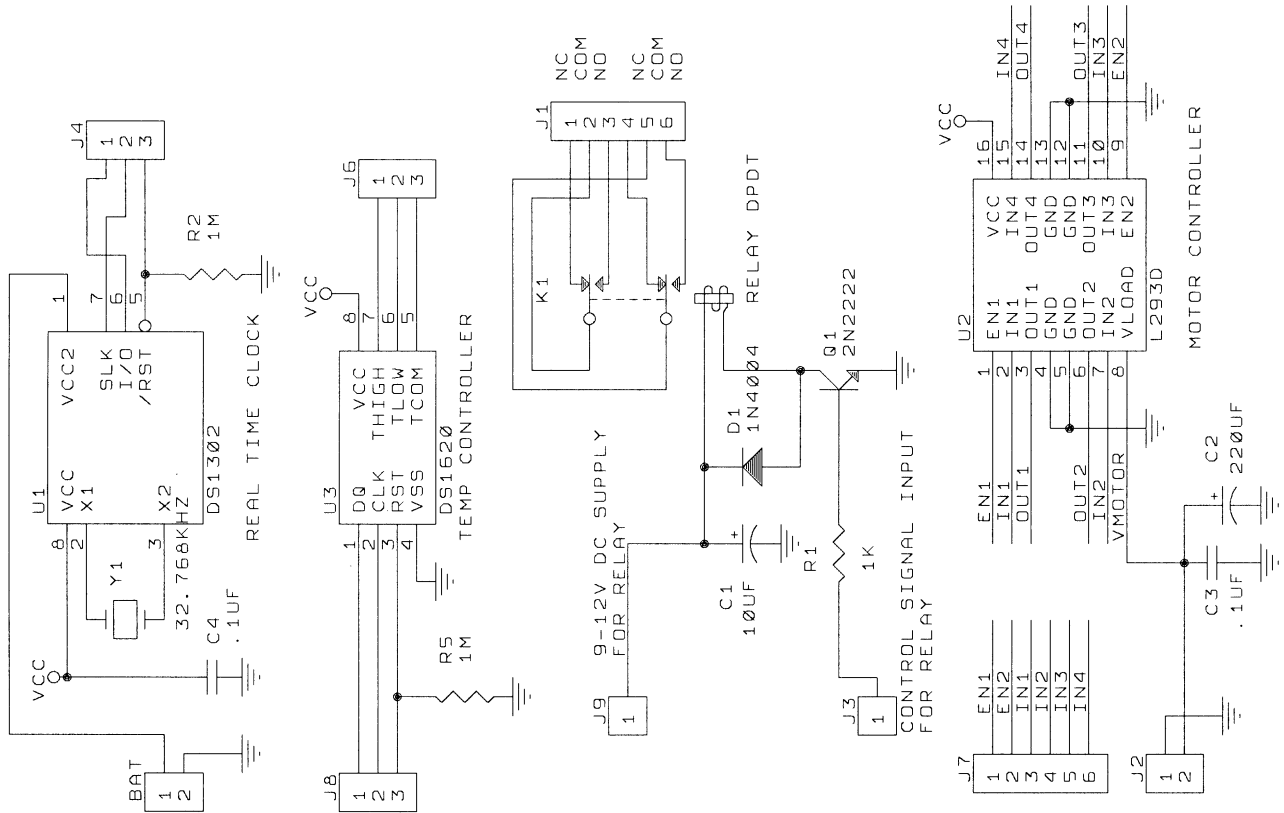
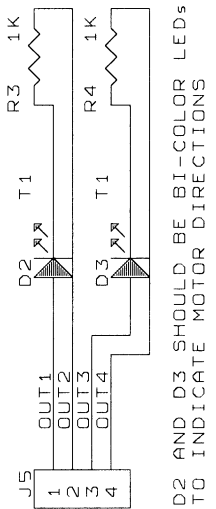


APPLICATION CIRCUITS FOR MINIDRAGON+ REV. D BOARD



RF CIRCUITS FOR MINIDRAGON+ REV. D BOARD



Title		EVBPLUS.COM	
APPLICATION CIRCUITS / MINIDRAGON+			
Size	Document Number	REV	
A	11104-ACC	D	
Date:	December 29, 2005	Sheet	1 of 1