

# CRG

## Block User Guide

### V02.07

**Original Release Date: 29 FEB 2000**  
**Revised: 11 Mar 2002**

**SPS, TSPG, 8/16 Bit**  
**Motorola, Inc**

Motorola reserves the right to make changes without further notice to any products herein to improve reliability, function or design. Motorola does not assume any liability arising out of the application or use of any product or circuit described herein; neither does it convey any license under its patent rights nor the rights of others. Motorola products are not designed, intended, or authorized for use as components in systems intended for surgical implant into the body, or other applications intended to support or sustain life, or for any other application in which the failure of the Motorola product could create a situation where personal injury or death may occur. Should Buyer purchase or use Motorola products for any such unintended or unauthorized application, Buyer shall indemnify and hold Motorola and its officers, employees, subsidiaries, affiliates, and distributors harmless against all claims, costs, damages, and expenses, and reasonable attorney fees arising out of, directly or indirectly, any claim of personal injury or death associated with such unintended or unauthorized use, even if such claim alleges that Motorola was negligent regarding the design or manufacture of the part.

## Revision History

Version Number	Revision Date	Effective Date	Author	Description of Changes
V02.00	11/09/00	10/18/00		Initial SRS2.0 compliant release
V02.01	03/03/01	03/03/01		Added RSBCK bit.
V02.02	03/22/01			Make the content SRS compliant (usable as a customer document)
V02.03	13 July 01			Minor corrections
V02.04	27 July 01	27 July 01		Enhanced Block diagram (VREG, POR), Corrected register figure CRGINT to read and write
V02.05	15 Oct 01	15 Oct 01		Replaced by HCS12
V02.06	21 Dec 01	21 Dec 01		Corrected $C_{DC}$ in Colpitts Oscillator Connections diagram.
V02.07	11 Mar 02	11 Mar 02		Removed document number from all pages except cover page Replaced $f_{VCOMIN}$ by $f_{SCM}$

# Table of Contents

## Section 1 Introduction

1.1	Overview	9
1.2	Features	9
1.3	Modes of Operation	9
1.4	Block Diagram	10

## Section 2 Signal Description

2.1	Overview	13
2.2	Detailed Signal Descriptions	13
2.2.1	VDDPLL, VSSPLL	13
2.2.2	XFC	13
2.2.3	EXTAL, XTAL	13
2.2.4	RESET	14
2.2.5	XCLKS	14

## Section 3 Memory Map and Registers

3.1	Overview	17
3.2	Module Memory Map	17
3.3	Register Descriptions	17
3.3.1	CRG Synthesizer Register (SYNR)	17
3.3.2	CRG Reference Divider Register (REFDV)	18
3.3.3	Reserved Register (CTFLG)	18
3.3.4	CRG Flags Register (CRGFLG)	19
3.3.5	CRG Interrupt Enable Register (CRGINT)	20
3.3.6	CRG Clock Select Register (CLKSEL)	21
3.3.7	CRG PLL Control Register (PLLCTL)	23
3.3.8	CRG RTI Control Register (RTICTL)	24
3.3.9	CRG COP Control Register (COPCTL)	26
3.3.10	Reserved Register (FORBYP)	27
3.3.11	Reserved Register (CTCTL)	28
3.3.12	CRG COP Timer Arm/Reset Register (ARMCOP)	28

## Section 4 Functional Description

4.1	General	31
4.2	Functional Blocks	31
4.2.1	Oscillator (OSC)	31
4.2.2	Phase Locked Loop (PLL)	31
4.2.3	System Clocks Generator	34
4.2.4	Clock Monitor (CM)	35
4.2.5	Clock Quality Checker	35
4.2.6	Computer Operating Properly Watchdog (COP)	37
4.2.7	Real Time Interrupt (RTI)	37
4.3	Operation Modes	38
4.3.1	Normal Mode	38
4.3.2	Self Clock Mode	38
4.4	Low Power Options	39
4.4.1	Run Mode	39
4.4.2	Wait Mode	39
4.4.3	CPU Stop Mode	43

## Section 5 Resets

5.1	General	49
5.2	Description of Reset Operation	49
5.2.1	Clock Monitor Reset	50
5.2.2	Computer Operating Properly Watchdog (COP) Reset	51
5.2.3	Power-On Reset	51

## Section 6 Interrupts

6.1	General	53
6.2	Description of Interrupt Operation	53
6.2.1	Real Time Interrupt	53
6.2.2	PLL Lock Interrupt	53
6.2.3	Self Clock Mode Interrupt	53

# List of Figures

Figure 1-1	Block diagram of CRG . . . . .	11
Figure 2-1	PLL Loop Filter Connections . . . . .	13
Figure 2-2	Common Crystal Connections (XCLKS=0) . . . . .	14
Figure 2-3	External Oscillator Connections (XCLKS=1) . . . . .	14
Figure 3-1	CRG Synthesizer Register (SYNR) . . . . .	18
Figure 3-2	CRG Reference Divider Register (REFDV) . . . . .	18
Figure 3-3	Reserved Register (CTFLG) . . . . .	19
Figure 3-4	CRG Flags Register (CRGFLG) . . . . .	19
Figure 3-5	CRG Interrupt Enable Register (CRGINT) . . . . .	21
Figure 3-6	CRG Clock Select Register (CLKSEL) . . . . .	21
Figure 3-7	CRG PLL Control Register (PLLCTL) . . . . .	23
Figure 3-8	CRG RTI Control Register (RTICTL) . . . . .	25
Figure 3-9	CRG COP Control Register (COPCTL) . . . . .	26
Figure 3-10	Reserved Register (FORBYP) . . . . .	27
Figure 3-11	Reserved Register (CTCTL) . . . . .	28
Figure 3-12	ARMCOP Register Diagram . . . . .	28
Figure 4-1	PLL Functional Diagram . . . . .	32
Figure 4-2	Clock Generator . . . . .	34
Figure 4-3	Core Clock and Bus Clock relationship . . . . .	35
Figure 4-4	Sequence for Clock Quality Check . . . . .	36
Figure 4-5	Clock Chain for COP . . . . .	37
Figure 4-6	Clock Chain for RTI . . . . .	38
Figure 4-7	Wait Mode Entry/Exit Sequence . . . . .	40
Figure 4-8	Stop Mode Entry/Exit Sequence . . . . .	44
Figure 5-1	RESET Timing . . . . .	50
Figure 5-2	RESET pin tied to VDD (by a pull-up resistor) . . . . .	51
Figure 5-3	RESET pin held low externally . . . . .	52

Freescale Semiconductor, Inc.



## List of Tables

Table 2-1	Clock Selection Based on XCLKS . . . . .	15
Table 3-1	CRG Memory Map . . . . .	17
Table 3-2	RTI Frequency Divide Rates . . . . .	25
Table 3-3	COP Watchdog Rates . . . . .	27
Table 4-1	MCU configuration during Wait Mode . . . . .	39
Table 4-2	Outcome of Clock Loss in Wait Mode . . . . .	41
Table 4-3	Outcome of Clock Loss in Pseudo-Stop Mode . . . . .	45
Table 5-1	Reset Summary . . . . .	49
Table 6-1	CRG Interrupt Vectors . . . . .	53

Freescale Semiconductor, Inc.





# Section 1 Introduction

## 1.1 Overview

This specification describes the function of the Clocks and Reset Generator (CRG).

## 1.2 Features

The main features of this block are:

- Crystal (or ceramic resonator) oscillator (OSC)
  - Clock monitor (CM)
  - Startup counter
- Phase Locked Loop (PLL) frequency multiplier
  - Reference divider
  - Automatic bandwidth control mode for low-jitter operation
  - Automatic frequency lock detector
  - CPU interrupt on entry or exit from locked condition
  - Self Clock Mode in absence of reference clock
- System Clock Generator
  - External clock mode
  - System clock switch
  - System clocks off during Wait Mode
- System Reset Generator
  - Computer Operating Properly (COP) watchdog timer with time-out clear window.
  - Loss of clock reset
  - External pin reset
- Real-Time Interrupt (RTI)

## 1.3 Modes of Operation

This subsection lists and briefly describes all CRG operating modes supported by the CRG. This is a high level description only, detailed descriptions of operating modes are contained in later sections.

- Run Mode

All functional parts of the CRG are running during normal Run Mode. If RTI or COP functionality is required the individual bits of the associated rate select registers (COPCTL, RTICTL) have to be set to a non zero value<sup>1</sup>.

- Wait Mode

Depending on the configuration of the individual bits in the CLKSEL register this mode allows to disable the system and core clocks.

- Stop Mode

Depending on the setting of the PSTP bit Stop Mode can be differentiated between Full Stop Mode (PSTP=0) and Pseudo Stop Mode (PSTP=1).

- Full Stop Mode

The oscillator is disabled and thus all system and core clocks are stopped. The COP and the RTI remain frozen.

- Pseudo Stop Mode

The oscillator continues to run and most of the system and core clocks are stopped. If the respective enable bits are set the COP and RTI will continue to run, else they remain frozen.

- Self Clock Mode

Self Clock Mode will be entered if the Clock Monitor Enable Bit (CME) and the Self Clock Mode Enable Bit (SCME) are both asserted and the clock monitor detects a loss of clock (external oscillator or crystal). As soon as Self Clock Mode is entered the CRG starts to perform a clock check. Self Clock Mode remains active until the clock check indicates the required quality of the incoming clock signal is met (frequency and amplitude). Self Clock Mode should be used for safety purposes only. It provides reduced functionality to the MCU in case a loss of clock is causing severe system conditions.

## 1.4 Block Diagram

Figure 1-1 shows a block diagram of the CRG.

### NOTES:

1. COPCTL register is write once only

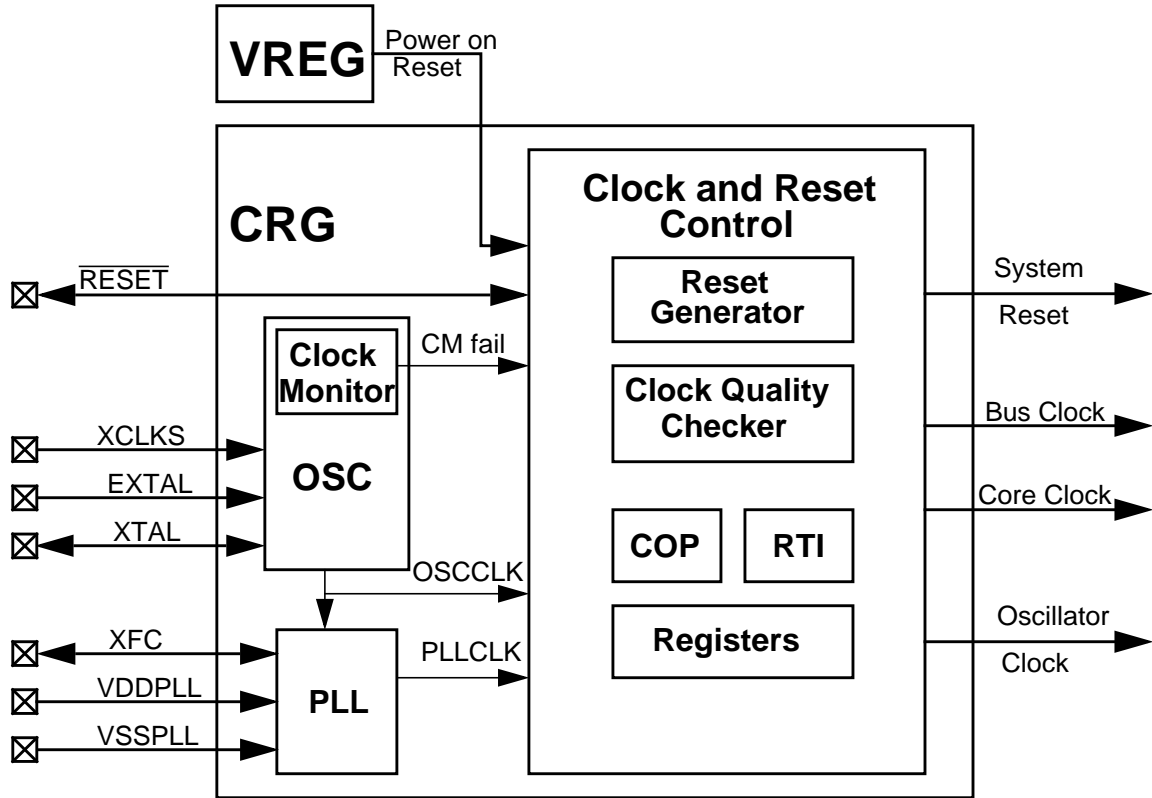


Figure 1-1 Block diagram of CRG



## Section 2 Signal Description

### 2.1 Overview

This section lists and describes the signals that connect off chip.

### 2.2 Detailed Signal Descriptions

#### 2.2.1 VDDPLL, VSSPLL

These pins provide operating voltage (VDDPLL) and ground (VSSPLL) for the PLL circuitry. This allows the supply voltage to the PLL to be independently bypassed. Even if PLL usage is not required VDDPLL and VSSPLL must be connected to properly.

#### 2.2.2 XFC

A passive external loop filter must be placed on the XFC pin. The filter is a second-order, low-pass filter to eliminate the VCO input ripple. The value of the external filter network and the reference frequency determines the speed of the corrections and the stability of the PLL. If PLL usage is not required the XFC pin must be tied to VDDPLL.

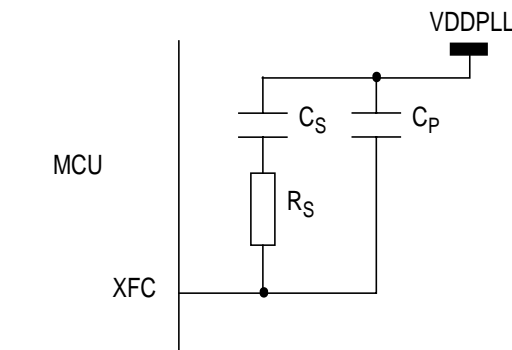
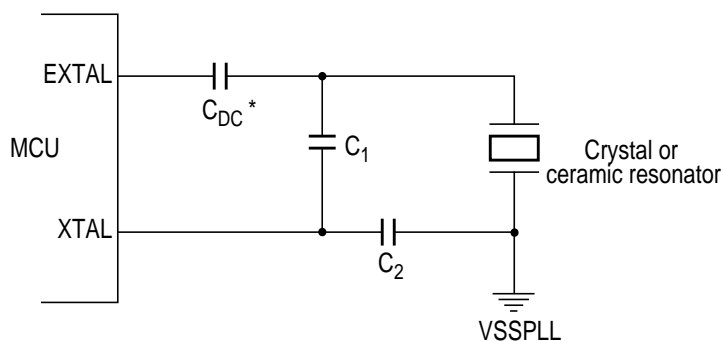


Figure 2-1 PLL Loop Filter Connections

#### 2.2.3 EXTAL, XTAL

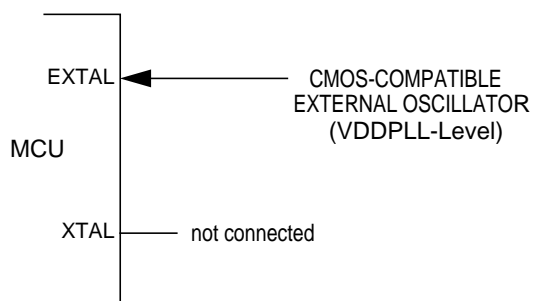
These pins provide the interface for either a crystal or a CMOS compatible clock to control the internal clock generator circuitry. EXTAL is the external clock input or the input to the crystal oscillator amplifier. XTAL is the output of the crystal oscillator amplifier. All the MCU internal system clocks are derived from the EXTAL input frequency.

**NOTE:** *Crystal circuit is changed from standard!*



- \* Due to the nature of a translated ground Colpitts oscillator a DC voltage bias is applied to the crystal
- Please contact the crystal manufacturer for crystal DC bias conditions and recommended capacitor value  $C_{DC}$ .

**Figure 2-2 Common Crystal Connections (XCLKS=0)**



**Figure 2-3 External Oscillator Connections (XCLKS=1)**

### 2.2.4 $\overline{\text{RESET}}$

$\overline{\text{RESET}}$  is an active low bidirectional reset pin. As an input it initializes the MCU asynchronously to a known start-up state. As an open-drain output it indicates that an system reset (internal to MCU) has been triggered.

### 2.2.5 XCLKS

The XCLKS is an input signal which controls whether a crystal in combination with the internal low power oscillator is used or whether oscillator circuitry is bypassed using one external clock source on EXTAL pin. The XCLKS signal is sampled during reset with the rising edge of  $\overline{\text{RESET}}$ . **Table 2-1** lists the state coding of the sampled XCLKS signal. The Polarity of the XCLKS pin is defined on MCU level.

**Table 2-1 Clock Selection Based on XCLKS**

XCLKS	Description
0	Crystal and the internal oscillator provide OSC_CLK
1	External clock provides OSC_CLK





## Section 3 Memory Map and Registers

### 3.1 Overview

This section provides a detailed description of all registers accessible in the CRG.

### 3.2 Module Memory Map

Table 3-1 gives an overview on all CRG registers.

Table 3-1 CRG Memory Map

Address Offset	Use	Access
\$_00	CRG Synthesizer Register (SYNR)	R/W
\$_01	CRG Reference Divider Register (REFDV)	R/W
\$_02	CRG Test Flags Register (CTFLG) <sup>1</sup>	R/W
\$_03	CRG Flags Register (CRGFLG)	R/W
\$_04	CRG Interrupt Enable Register (CRGINT)	R/W
\$_05	CRG Clock Select Register (CLKSEL)	R/W
\$_06	CRG PLL Control Register (PLLCTL)	R/W
\$_07	CRG RTI Control Register (RTICTL)	R/W
\$_08	CRG COP Control Register (COPCTL)	R/W
\$_09	CRG Force and Bypass Test Register (FORBYP) <sup>2</sup>	R/W
\$_0A	CRG Test Control Register (CTCTL) <sup>3</sup>	R/W
\$_0B	CRG COP Arm/Timer Reset (ARMCOP)	R/W

NOTES:

1. CTFLG is intended for factory test purposes only.
2. FORBYP is intended for factory test purposes only.
3. CTCTL is intended for factory test purposes only.

**NOTE:** Register Address = Base Address + Address Offset, where the Base Address is defined at the MCU level and the Address Offset is defined at the module level.

### 3.3 Register Descriptions

This section describes in address order all the CRG registers and their individual bits.

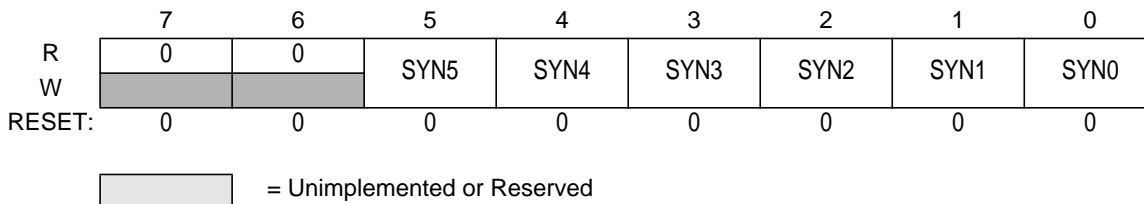
#### 3.3.1 CRG Synthesizer Register (SYNR)

The SYNR register controls the multiplication factor of the PLL. If the PLL is on, the count in the loop divider (SYNR) register effectively multiplies up the PLL clock (PLLCLK) from the reference frequency by 2 x (SYNR+1). PLLCLK will not be below the minimum VCO frequency ( $f_{SCM}$ ).

$$PLLCLK = 2 \times OSCCLK \times \frac{(SYNR + 1)}{(REFDV + 1)}$$

**NOTE:** *PLLCLK must not exceed the maximum operating system frequency.*

Address Offset: \$\_00



**Figure 3-1 CRG Synthesizer Register (SYNR)**

Read: anytime

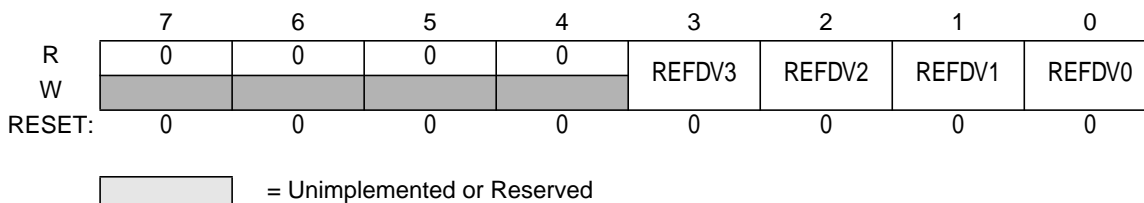
Write: anytime except if PLLSEL = 1

**NOTE:** *Write to this register initializes the lock detector bit and the track detector bit.*

### 3.3.2 CRG Reference Divider Register (REFDV)

The REFDV register provides a finer granularity for the PLL multiplier steps. The count in the reference divider divides OSCCLK frequency by REFDV+1.

Address Offset: \$\_01



**Figure 3-2 CRG Reference Divider Register (REFDV)**

Read: anytime

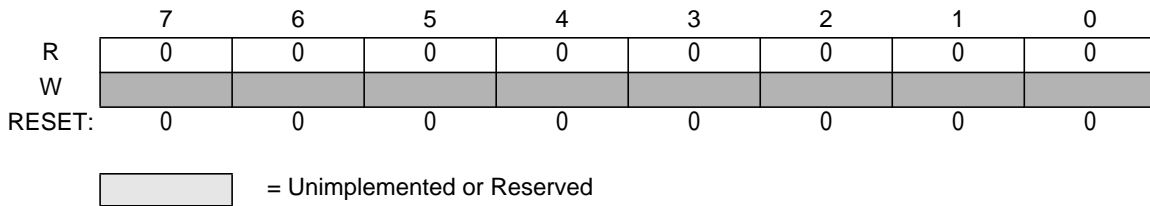
Write: anytime except when PLLSEL = 1

**NOTE:** *Write to this register initializes the lock detector bit and the track detector bit.*

### 3.3.3 Reserved Register (CTFLG)

This register is reserved for factory testing of the CRG module and is not available in normal modes.

Address Offset: \$\_02



**Figure 3-3 Reserved Register (CTFLG)**

Read: always reads \$00 in normal modes

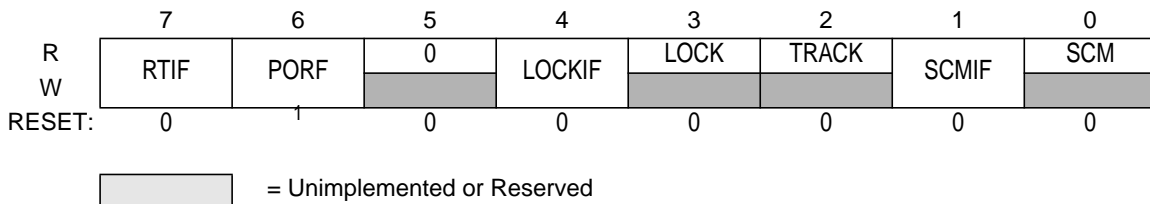
Write: unimplemented in normal modes

**NOTE:** Writing to this register when in special mode can alter the CRG functionality.

### 3.3.4 CRG Flags Register (CRGFLG)

This register provides CRG status bits and flags.

Address Offset: \$\_03



NOTES:

1. PORF is set to 1 when a power on reset occurs. Unaffected by non-POR resets.

**Figure 3-4 CRG Flags Register (CRGFLG)**

Read: anytime

Write: refer to each bit for individual write conditions

RTIF — Real Time Interrupt Flag

RTIF is set to 1 at the end of the RTI period. This flag can only be cleared by writing a 1. Writing a 0 has no effect. If enabled (RTIE=1), RTIF causes an interrupt request.

1 = RTI time-out has occurred.

0 = RTI time-out has not yet occurred.

PORF — Power on Reset Flag

PORF is set to 1 when a power on reset occurs. This flag can only be cleared by writing a 1. Writing a 0 has no effect.

- 1 = Power on reset has occurred.
- 0 = Power on reset has not occurred.

**LOCKIF** — PLL Lock Interrupt Flag

LOCKIF is set to 1 when LOCK status bit changes. This flag can only be cleared by writing a 1. Writing a 0 has no effect. If enabled (LOCKIE=1), LOCKIF causes an interrupt request.

- 1 = LOCK bit has changed.
- 0 = No change in LOCK bit.

**LOCK** — Lock Status Bit

LOCK reflects the current state of PLL lock condition. This bit is cleared in Self Clock Mode. Writes have no effect.

- 1 = PLL VCO is within the desired tolerance of the target frequency.
- 0 = PLL VCO is not within the desired tolerance of the target frequency.

**TRACK** — Track Status Bit

TRACK reflects the current state of PLL track condition. This bit is cleared in Self Clock Mode. Writes have no effect.

- 1 = Tracking mode status.
- 0 = Acquisition mode status.

**SCMIF** — Self Clock Mode Interrupt Flag

SCMIF is set to 1 when SCM status bit changes. This flag can only be cleared by writing a 1. Writing a 0 has no effect. If enabled (SCMIE=1), SCMIF causes an interrupt request.

- 1 = SCM bit has changed.
- 0 = No change in SCM bit.

**SCM** — Self Clock Mode Status Bit

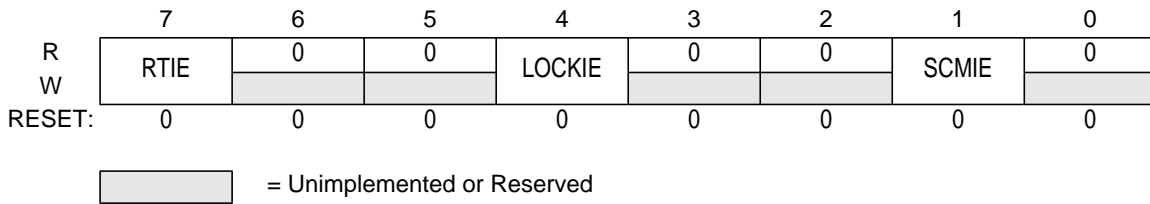
SCM reflects the current clocking mode. Writes have no effect.

- 1 = MCU is operating in Self Clock Mode with OSCCLK in an unknown state. All clocks are derived from PLLCLK running at its minimum frequency  $f_{SCM}$ .
- 0 = MCU is operating normally with OSCCLK available.

### 3.3.5 CRG Interrupt Enable Register (CRGINT)

This register enables CRG interrupt requests.

Address Offset: \$\_04



**Figure 3-5 CRG Interrupt Enable Register (CRGINT)**

Read: anytime

Write: anytime

**RTIE** — Real Time Interrupt Enable Bit.  
 1 = Interrupt will be requested whenever RTIF is set.  
 0 = Interrupt requests from RTI are disabled.

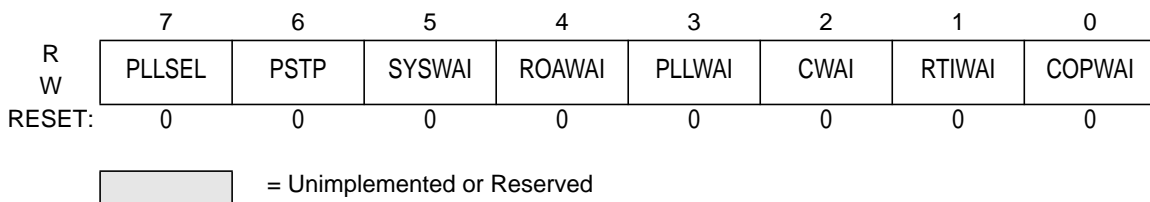
**LOCKIE** — Lock Interrupt Enable Bit  
 1 = Interrupt will be requested whenever LOCKIF is set.  
 0 = LOCK interrupt requests are disabled.

**SCMIE** — Self Clock Mode Interrupt Enable Bit  
 1 = Interrupt will be requested whenever SCMIF is set.  
 0 = SCM interrupt requests are disabled.

### 3.3.6 CRG Clock Select Register (CLKSEL)

This register controls CRG clock selection.

Address Offset: \$\_05



**Figure 3-6 CRG Clock Select Register (CLKSEL)**

Read: anytime

Write: refer to each bit for individual write conditions

**PLLSEL** — PLL Select Bit

Write anytime except when LOCK=0 and AUTO=1, or TRACK=0 and AUTO=0. PLLSEL bit is cleared when the MCU enters Self Clock Mode, Stop Mode or Wait Mode with PLLWAI bit set.

- 1 = System clocks are derived from PLLCLK.
- 0 = System clocks are derived from OSCCLK.

#### PSTP — Pseudo Stop Bit

Write: anytime

This bit controls the functionality of the oscillator during Stop Mode.

- 1 = Oscillator continues to run in Stop Mode (Pseudo Stop). The oscillator amplitude is reduced.
- 0 = Oscillator is disabled in Stop Mode.

**NOTE:** *Pseudo-STOP allows for faster STOP recovery and reduces the mechanical stress and aging of the resonator in case of frequent STOP conditions at the expense of a slightly increased power consumption.*

*Lower oscillator amplitude exhibits lower power consumption but could have adverse effects during any Electro-Magnetic Susceptibility (EMS) tests.*

#### SYSWAI — System clocks stop in Wait Mode Bit

Write: anytime

- 1 = In Wait Mode the system clocks stop.
- 0 = In Wait Mode the system clocks continue to run.

**NOTE:** *RTI and COP are not affected by SYSWAI bit.*

#### ROAWAI — Reduced Oscillator Amplitude in Wait Mode Bit.

Write: anytime

- 1 = Reduced oscillator amplitude in Wait Mode.
- 0 = Normal oscillator amplitude in Wait Mode.

**NOTE:** *Lower oscillator amplitude exhibits lower power consumption but could have adverse effects during any Electro-Magnetic Susceptibility (EMS) tests.*

#### PLLWAI — PLL stops in Wait Mode Bit

Write: anytime

If PLLWAI is set, the CRG will clear the PLLSEL bit before entering Wait Mode. The PLLON bit remains set during Wait Mode but the PLL is powered down. Upon exiting Wait Mode, the PLLSEL bit has to be set manually in case PLL clock is required.

While the PLLWAI bit is set the AUTO bit is set to 1 in order to allow the PLL to automatically lock on the selected target frequency after exiting Wait Mode.

- 1 = PLL stops in Wait Mode.
- 0 = PLL keeps running in Wait Mode.

#### CWAI — Core stops in Wait Mode Bit

Write: anytime

- 1 = Core clock stops in Wait Mode.

0 = Core clock keeps running in Wait Mode.

**RTIWI** — RTI stops in Wait Mode Bit

Write: anytime

1 = RTI stops and initializes the RTI dividers whenever the part goes into Wait Mode.

0 = RTI keeps running in Wait Mode.

**COPWI** — COP stops in Wait Mode Bit

Normal modes: Write once

Special modes: Write anytime

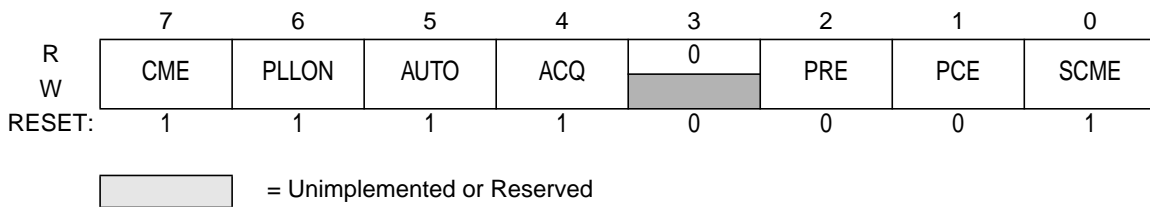
1 = COP stops and initializes the COP dividers whenever the part goes into Wait Mode.

0 = COP keeps running in Wait Mode.

### 3.3.7 CRG PLL Control Register (PLLCTL)

This register controls the PLL functionality.

Address Offset: \$\_06



**Figure 3-7 CRG PLL Control Register (PLLCTL)**

Read: anytime

Write: refer to each bit for individual write conditions

**CME** — Clock Monitor Enable Bit

CME enables the clock monitor. Write anytime except when SCM = 1.

1 = Clock monitor is enabled. Slow or stopped clocks will cause a clock monitor reset sequence or Self Clock Mode.

0 = Clock monitor is disabled.

**NOTE:** *Operating with CME=0 will not detect any loss of clock. In case of poor clock quality this could cause unpredictable operation of the MCU!*

*In Stop Mode (PSTP=0) the clock monitor is disabled independently of the CME bit setting and any loss of clock will not be detected.*

**PLLON** — Phase Lock Loop On Bit

PLLON turns on the PLL circuitry. In Self Clock Mode, the PLL is turned on, but the PLLON bit reads the last latched value. Write anytime except when PLLSEL = 1.

- 1 = PLL is turned on. If AUTO bit is set, the PLL will lock automatically.
- 0 = PLL is turned off.

**AUTO** — Automatic Bandwidth Control Bit

AUTO selects either the high bandwidth (acquisition) mode or the low bandwidth (tracking) mode depending on how close to the desired frequency the VCO is running. Write anytime except when PLLWAI=1, because PLLWAI sets the AUTO bit to 1.

- 1 = Automatic Mode Control is enabled and ACQ bit has no effect.
- 0 = Automatic Mode Control is disabled and the PLL is under software control, using ACQ bit.

**ACQ** — Acquisition Bit

Write anytime. If AUTO=1 this bit has no effect.

- 1 = High bandwidth filter is selected.
- 0 = Low bandwidth filter is selected.

**PRE** — RTI Enable during Pseudo Stop Bit

PRE enables the RTI during Pseudo Stop Mode.

- 1 = RTI continues running during Pseudo Stop Mode.
- 0 = RTI stops running during Pseudo Stop Mode.

**NOTE:** *If the PRE bit is cleared the RTI dividers will go static while Pseudo-Stop Mode is active. The RTI dividers will not initialize like in Wait Mode with RTIWAI bit set.*

**PCE** — COP Enable during Pseudo Stop Bit

PCE enables the COP during Pseudo Stop Mode.

- 1 = COP continues running during Pseudo Stop Mode
- 0 = COP stops running during Pseudo Stop Mode

**NOTE:** *If the PCE bit is cleared the COP dividers will go static while Pseudo-Stop Mode is active. The COP dividers will not initialize like in Wait Mode with COPWAI bit set.*

**SCME** — Self Clock Mode Enable Bit

Normal modes: Write once

Special modes: Write anytime

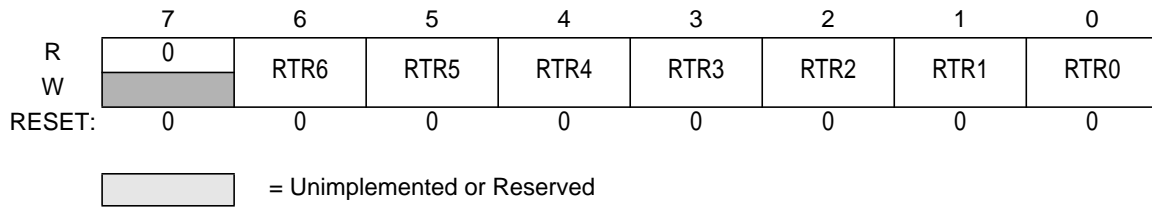
- 0 = Detection of crystal clock failure causes clock monitor reset (see **5.2.1 Clock Monitor Reset**).
- 1 = Detection of crystal clock failure forces the MCU in Self Clock Mode (see **4.3.2 Self Clock Mode**).

### 3.3.8 CRG RTI Control Register (RTICTL)

This register selects the timeout period for the Real Time Interrupt.



Address Offset: \$\_07



**Figure 3-8 CRG RTI Control Register (RTICTL)**

Read: anytime

Write: anytime

**NOTE:** A write to this register initializes the RTI counter.

RTR[6:4] — Real Time Interrupt Prescale Rate Select Bits

These bits select the prescale rate for the RTI. See **Table 3-2**.

RTR[3:0] — Real Time Interrupt Modulus Counter Select Bits

These bits select the modulus counter target value to provide additional granularity. **Table 3-2** shows all possible divide values selectable by the RTICTL register. The source clock for the RTI is OSCCLK.

**Table 3-2 RTI Frequency Divide Rates**

RTR[3:0]	RTR[6:4] =							
	000 (OFF)	001 (2 <sup>10</sup> )	010 (2 <sup>11</sup> )	011 (2 <sup>12</sup> )	100 (2 <sup>13</sup> )	101 (2 <sup>14</sup> )	110 (2 <sup>15</sup> )	111 (2 <sup>16</sup> )
0000 (÷1)	OFF*	2 <sup>10</sup>	2 <sup>11</sup>	2 <sup>12</sup>	2 <sup>13</sup>	2 <sup>14</sup>	2 <sup>15</sup>	2 <sup>16</sup>
0001 (÷2)	OFF*	2x2 <sup>10</sup>	2x2 <sup>11</sup>	2x2 <sup>12</sup>	2x2 <sup>13</sup>	2x2 <sup>14</sup>	2x2 <sup>15</sup>	2x2 <sup>16</sup>
0010 (÷3)	OFF*	3x2 <sup>10</sup>	3x2 <sup>11</sup>	3x2 <sup>12</sup>	3x2 <sup>13</sup>	3x2 <sup>14</sup>	3x2 <sup>15</sup>	3x2 <sup>16</sup>
0011 (÷4)	OFF*	4x2 <sup>10</sup>	4x2 <sup>11</sup>	4x2 <sup>12</sup>	4x2 <sup>13</sup>	4x2 <sup>14</sup>	4x2 <sup>15</sup>	4x2 <sup>16</sup>
0100 (÷5)	OFF*	5x2 <sup>10</sup>	5x2 <sup>11</sup>	5x2 <sup>12</sup>	5x2 <sup>13</sup>	5x2 <sup>14</sup>	5x2 <sup>15</sup>	5x2 <sup>16</sup>
0101 (÷6)	OFF*	6x2 <sup>10</sup>	6x2 <sup>11</sup>	6x2 <sup>12</sup>	6x2 <sup>13</sup>	6x2 <sup>14</sup>	6x2 <sup>15</sup>	6x2 <sup>16</sup>
0110 (÷7)	OFF*	7x2 <sup>10</sup>	7x2 <sup>11</sup>	7x2 <sup>12</sup>	7x2 <sup>13</sup>	7x2 <sup>14</sup>	7x2 <sup>15</sup>	7x2 <sup>16</sup>
0111 (÷8)	OFF*	8x2 <sup>10</sup>	8x2 <sup>11</sup>	8x2 <sup>12</sup>	8x2 <sup>13</sup>	8x2 <sup>14</sup>	8x2 <sup>15</sup>	8x2 <sup>16</sup>
1000 (÷9)	OFF*	9x2 <sup>10</sup>	9x2 <sup>11</sup>	9x2 <sup>12</sup>	9x2 <sup>13</sup>	9x2 <sup>14</sup>	9x2 <sup>15</sup>	9x2 <sup>16</sup>
1001 (÷10)	OFF*	10x2 <sup>10</sup>	10x2 <sup>11</sup>	10x2 <sup>12</sup>	10x2 <sup>13</sup>	10x2 <sup>14</sup>	10x2 <sup>15</sup>	10x2 <sup>16</sup>

**Table 3-2 RTI Frequency Divide Rates**

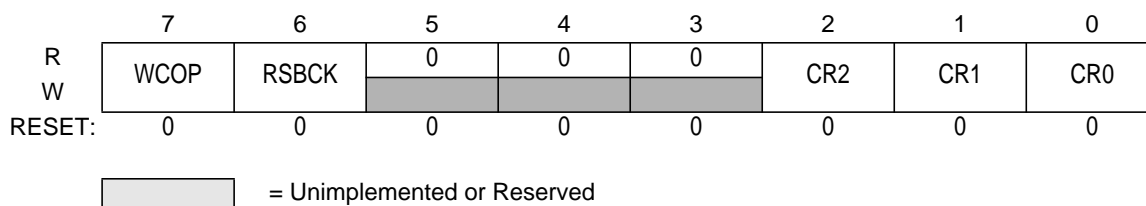
RTR[3:0]	RTR[6:4] =							
<b>1010 (÷11)</b>	OFF*	11x2 <sup>10</sup>	11x2 <sup>11</sup>	11x2 <sup>12</sup>	11x2 <sup>13</sup>	11x2 <sup>14</sup>	11x2 <sup>15</sup>	11x2 <sup>16</sup>
<b>1011 (÷12)</b>	OFF*	12x2 <sup>10</sup>	12x2 <sup>11</sup>	12x2 <sup>12</sup>	12x2 <sup>13</sup>	12x2 <sup>14</sup>	12x2 <sup>15</sup>	12x2 <sup>16</sup>
<b>1100 (÷13)</b>	OFF*	13x2 <sup>10</sup>	13x2 <sup>11</sup>	13x2 <sup>12</sup>	13x2 <sup>13</sup>	13x2 <sup>14</sup>	13x2 <sup>15</sup>	13x2 <sup>16</sup>
<b>1101 (÷14)</b>	OFF*	14x2 <sup>10</sup>	14x2 <sup>11</sup>	14x2 <sup>12</sup>	14x2 <sup>13</sup>	14x2 <sup>14</sup>	14x2 <sup>15</sup>	14x2 <sup>16</sup>
<b>1110 (÷15)</b>	OFF*	15x2 <sup>10</sup>	15x2 <sup>11</sup>	15x2 <sup>12</sup>	15x2 <sup>13</sup>	15x2 <sup>14</sup>	15x2 <sup>15</sup>	15x2 <sup>16</sup>
<b>1111 (÷16)</b>	OFF*	16x2 <sup>10</sup>	16x2 <sup>11</sup>	16x2 <sup>12</sup>	16x2 <sup>13</sup>	16x2 <sup>14</sup>	16x2 <sup>15</sup>	16x2 <sup>16</sup>

\* Denotes the default value out of reset. This value should be used to disable the RTI to ensure future backwards compatibility.

### 3.3.9 CRG COP Control Register (COPCTL)

This register controls the COP (Computer Operating Properly) watchdog.

Address Offset: **\$\_08**



**Figure 3-9 CRG COP Control Register (COPCTL)**

Read: anytime

Write: once in user mode, anytime in special mode

**WCOP** — Window COP Mode Bit

When set, a write to the ARMCOP register must occur in the last 25% of the selected period. A write during the first 75% of the selected period will reset the part. As long as all writes occur during this window, \$55 can be written as often as desired. Once \$AA is written after the \$55, the time-out logic restarts and the user must wait until the next window before writing to ARMCOP. **Table 3-3** shows the exact duration of this window for the seven available COP rates.

- 1 = Window COP operation
- 0 = Normal COP operation

**RSBC** — COP and RTI stop in Active BDM mode Bit

- 1 = Stops the COP and RTI counters whenever the part is in Active BDM mode.
- 0 = Allows the COP and RTI to keep running in Active BDM mode.

CR[2:0] — COP Watchdog Timer Rate select

These bits select the COP time-out rate (see **Table 3-3**). The COP time-out period is OSCCLK period divided by CR[2:0] value. Writing a nonzero value to CR[2:0] enables the COP counter and starts the time-out period. A COP counter time-out causes a system reset. This can be avoided by periodically (before time-out) reinitializing the COP counter via the ARMCOP register.

**Table 3-3 COP Watchdog Rates<sup>1</sup>**

CR2	CR1	CR0	OSCCLK cycles to time-out
0	0	0	COP disabled
0	0	1	2 <sup>14</sup>
0	1	0	2 <sup>16</sup>
0	1	1	2 <sup>18</sup>
1	0	0	2 <sup>20</sup>
1	0	1	2 <sup>22</sup>
1	1	0	2 <sup>23</sup>
1	1	1	2 <sup>24</sup>

NOTES:

1. OSCCLK cycles are referenced from the previous COP time-out reset (writing \$55/\$AA to the ARMCOP register)

**3.3.10 Reserved Register (FORBYP)**

**NOTE:** *This reserved register is designed for factory test purposes only, and is not intended for general user access. Writing to this register when in special modes can alter the CRG’s functionality.*

Address Offset: \$\_09

	7	6	5	4	3	2	1	0
R	0	0	0	0	0	0	0	0
W								
RESET:	0	0	0	0	0	0	0	0

= Unimplemented or Reserved

**Figure 3-10 Reserved Register (FORBYP)**

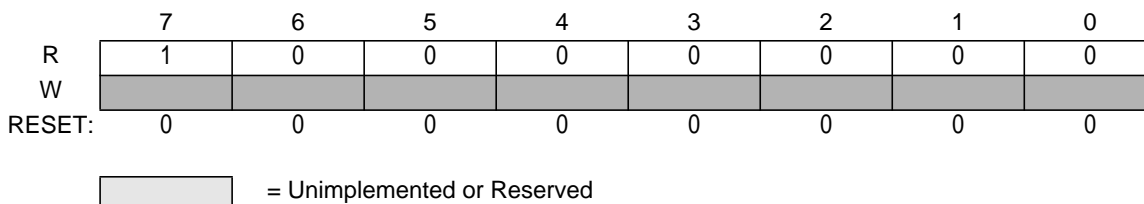
Read: always read \$00 except in special modes

Write: only in special modes

### 3.3.11 Reserved Register (CTCTL)

**NOTE:** *This reserved register is designed for factory test purposes only, and is not intended for general user access. Writing to this register when in special test modes can alter the CRG's functionality*

Address Offset: **\$\_0A**



**Figure 3-11 Reserved Register (CTCTL)**

Read: always read \$80 except in special modes

Write: only in special modes

### 3.3.12 CRG COP Timer Arm/Reset Register (ARMCOP)

This register is used to restart the COP time-out period.

Address Offset: **\$\_0B**



**Figure 3-12 ARMCOP Register Diagram**

Read: always reads \$00

Write: anytime

When the COP is disabled (CR[2:0] = "000") writing to this register has no effect.

When the COP is enabled by setting CR[2:0] nonzero, the following applies:

Writing any value other than \$55 or \$AA causes a COP reset. To restart the COP time-out period you

must write \$55 followed by a write of \$AA. Other instructions may be executed between these writes but the sequence (\$55, \$AA) must be completed prior to COP end of time-out period to avoid a COP reset. Sequences of \$55 writes or sequences of \$AA writes are allowed. When the WCOP bit is set, \$55 and \$AA writes must be done in the last 25% of the selected time-out period; writing any value in the first 75% of the selected period will cause a COP reset.



## Section 4 Functional Description

### 4.1 General

This section provides a complete functional description of the CRG. It gives detailed information on the internal operation of the design.

### 4.2 Functional Blocks

#### 4.2.1 Oscillator (OSC)

The oscillator block has two external pins, EXTAL and XTAL. The oscillator input pin, EXTAL, is intended to be connected to either a crystal or an external clock source. The selection of crystal or external clock source depends on the XCLKS signal which is sampled during reset. The XTAL pin is an output signal that provides crystal circuit feedback and can be buffered to drive other devices with same voltage amplitude.

A buffered EXTAL signal, OSCCLK, becomes the internal reference clock. The oscillator is enabled based on the PSTP bit, and the STOP condition. The oscillator is disabled when the part is in STOP mode except when Pseudo-Stop mode is enabled.

To improve noise immunity, the oscillator is powered by the VDDPLL and VSSPLL power supply pins.

The oscillator is equipped with a feedback system which does not waste current generating harmonics. Its configuration is 'Colpitts oscillator with translated ground'. The transconductor used is driven by a current source under the control of a peak detector which will measure the amplitude of the AC signal appearing on EXTAL node in order to implement an Amplitude Limitation Control (ALC) loop. The ALC loop is in charge of reducing the quiescent current in the transconductor as a result of an increase in the oscillation amplitude.

#### 4.2.2 Phase Locked Loop (PLL)

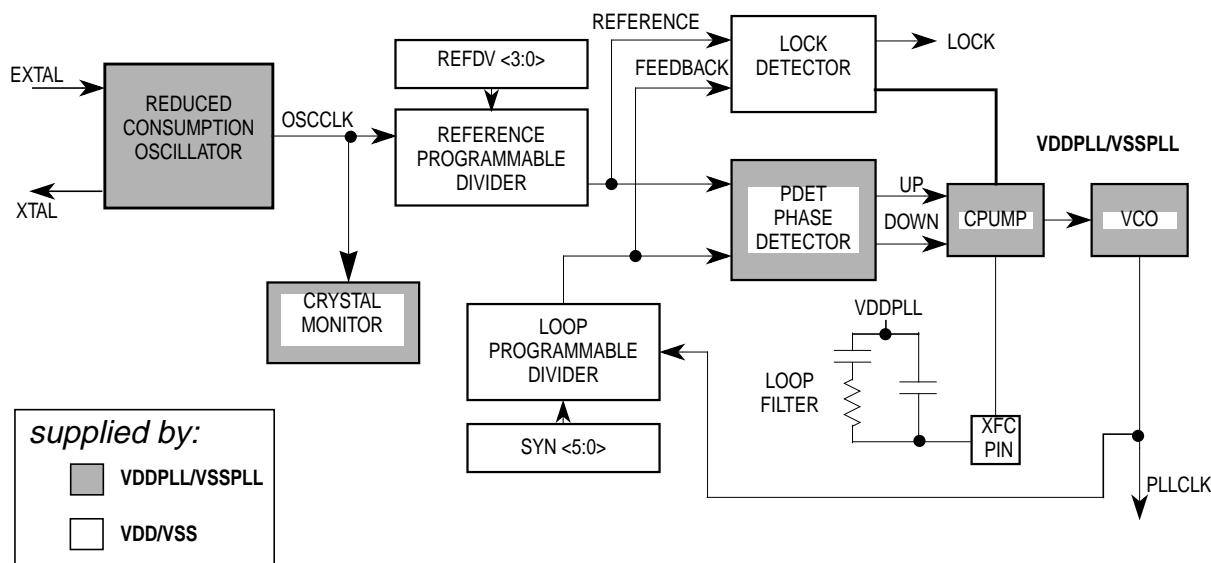
The PLL is used to run the MCU from a different time base than the incoming OSCCLK. For increased flexibility, OSCCLK can be divided in a range of 1 to 16 to generate the reference frequency. This offers a finer multiplication granularity. The PLL can multiply this reference clock by a multiple of 2, 4, 6, ... 126,128 based on the SYNRR register.

$$\text{PLLCLK} = 2 \times \text{OSCCLK} \times \frac{[\text{SYNR} + 1]}{[\text{REFDV} + 1]}$$

**NOTE:** Although it is possible to set the two dividers to command a very high clock frequency, do not exceed the specified bus frequency limit for the MCU.

The PLL is a frequency generator that operates in either acquisition mode or tracking mode, depending on the difference between the output frequency and the target frequency. The PLL can change between acquisition and tracking modes either automatically or manually.

The VCO has a minimum operating frequency, which corresponds to the self clock mode frequency  $f_{SCM}$ .



**Figure 4-1 PLL Functional Diagram**

#### 4.2.2.1 PLL Operation

The oscillator output clock signal (OSCCLK) is fed through the reference programmable divider and is divided in a range of 1 to 16 (REFDV+1) to output the REFERENCE clock. The VCO output clock, (PLLCLK) is fed back through the programmable loop divider and is divided in a range of 2 to 128 in increments of  $[2 \times (\text{SYNR} + 1)]$  to output the FEEDBACK clock. See **Figure 4-1**.

The phase detector then compares the FEEDBACK clock, with the REFERENCE clock. Correction pulses are generated based on the phase difference between the two signals. The loop filter then slightly alters the DC voltage on the external filter capacitor connected to XFC pin, based on the width and direction of the correction pulse. The filter can make fast or slow corrections depending on its mode, as described in the next subsection. The values of the external filter network and the reference frequency determine the speed of the corrections and the stability of the PLL.

#### 4.2.2.2 Acquisition and Tracking Modes

The lock detector compares the frequencies of the FEEDBACK clock, and the REFERENCE clock. Therefore, the speed of the lock detector is directly proportional to the final reference frequency. The circuit determines the mode of the PLL and the lock condition based on this comparison.

The PLL filter can be manually or automatically configured into one of two possible operating modes:

- Acquisition mode



In acquisition mode, the filter can make large frequency corrections to the VCO. This mode is used at PLL start-up or when the PLL has suffered a severe noise hit and the VCO frequency is far off the desired frequency. When in acquisition mode, the TRACK status bit is cleared in the CRGFLG register.

- Tracking mode

In tracking mode, the filter makes only small corrections to the frequency of the VCO. PLL jitter is much lower in tracking mode, but the response to noise is also slower. The PLL enters tracking mode when the VCO frequency is nearly correct and the TRACK bit is set in the CRGFLG register.

The PLL can change the bandwidth or operational mode of the loop filter manually or automatically.

In automatic bandwidth control mode (AUTO = 1), the lock detector automatically switches between acquisition and tracking modes. Automatic bandwidth control mode also is used to determine when the PLL clock (PLLCLK) is safe to use as the source for the system and core clocks. If PLL LOCK interrupt requests are enabled, the software can wait for an interrupt request and then check the LOCK bit. If CPU interrupts are disabled, software can poll the LOCK bit continuously (during PLL start-up, usually) or at periodic intervals. In either case, only when the LOCK bit is set, is the PLLCLK clock safe to use as the source for the system and core clocks. If the PLL is selected as the source for the system and core clocks and the LOCK bit is clear, the PLL has suffered a severe noise hit and the software must take appropriate action, depending on the application.

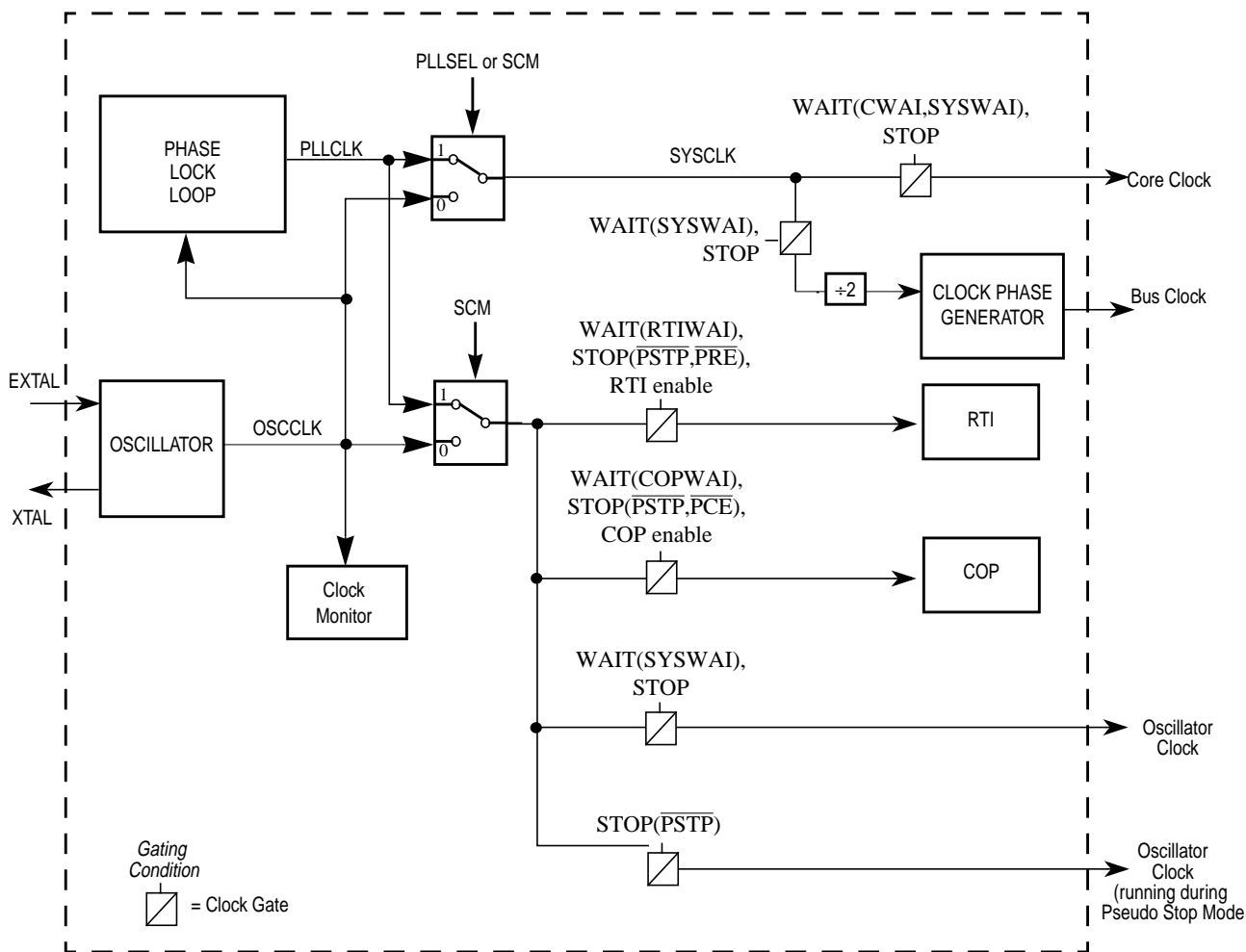
The following conditions apply when the PLL is in automatic bandwidth control mode (AUTO=1):

- The TRACK bit is a read-only indicator of the mode of the filter.
- The TRACK bit is set when the VCO frequency is within a certain tolerance,  $\Delta_{\text{trk}}$ , and is clear when the VCO frequency is out of a certain tolerance,  $\Delta_{\text{unt}}$ .
- The LOCK bit is a read-only indicator of the locked state of the PLL.
- The LOCK bit is set when the VCO frequency is within a certain tolerance,  $\Delta_{\text{Lock}}$ , and is cleared when the VCO frequency is out of a certain tolerance,  $\Delta_{\text{unl}}$ .
- CPU interrupts can occur if enabled (LOCKIE = 1) when the lock condition changes, toggling the LOCK bit.

The PLL can also operate in manual mode (AUTO = 0). Manual mode is used by systems that do not require an indicator of the lock condition for proper operation. Such systems typically operate well below the maximum system frequency ( $f_{\text{sys}}$ ) and require fast start-up. The following conditions apply when in manual mode:

- ACQ is a writable control bit that controls the mode of the filter. Before turning on the PLL in manual mode, the ACQ bit should be asserted to configure the filter in acquisition mode.
- After turning on the PLL by setting the PLLON bit software must wait a given time ( $t_{\text{acq}}$ ) before entering tracking mode (ACQ = 0).
- After entering tracking mode software must wait a given time ( $t_{\text{al}}$ ) before selecting the PLLCLK as the source for system and core clocks (PLLSEL = 1).

### 4.2.3 System Clocks Generator



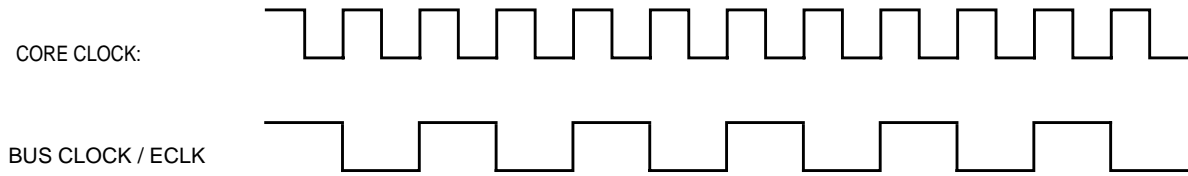
**Figure 4-2 Clock Generator**

The clock generator creates the system and core clocks used in the MCU (see **Figure 4-2**). The gating condition placed on top of the individual clock gates indicates the dependencies of different modes (STOP, WAIT) and the setting of the respective configuration bits.

The peripheral modules use the Bus Clock and/or Oscillator Clock. The memory blocks use the Bus Clock. In case the MCU enters Self Clock Mode (see **4.3.2 Self Clock Mode**) Oscillator clock source is switched to PLLCLK running at its minimum frequency  $f_{SCM}$ . The Bus Clock is used to generate the clock visible at the ECLK pin. The Core Clock signal is the clock for the CPU. The relationship of Core Clock and Bus Clock is shown in **Figure 4-3**.

PLL clock mode is selected with PLLSEL bit in the CLKSEL register. When selected, the PLL output clock drives SYSCLK for the main system including the CPU and peripherals. The PLL cannot be turned off by clearing the PLLON bit, if the PLL clock is selected. When PLLSEL is changed, it takes a maximum

of 4 OSCCLK plus 4 PLLCLK cycles to make the transition. During the transition, all clocks freeze and CPU activity ceases.



**Figure 4-3 Core Clock and Bus Clock relationship**

#### 4.2.3.1 External clock mode

The oscillator can be completely bypassed and turned off by selecting an external clock source instead. The clock monitor, PLL, RTI, COP and all clock signals based on OSCCLK are driven by this external clock instead of the output of the oscillator. The CRG enters external clock mode depending on the logical value of the XCLKS input signal (see **Table 2-1**) during reset. The Polarity of the XCLKS pin is defined on MCU level. When leaving reset the actual XCLKS signal state gets internally latched.

#### 4.2.4 Clock Monitor (CM)

The clock monitor circuit is based on an internal resistor-capacitor (RC) time delay so that it can operate without any MCU clocks. If no OSCCLK edges are detected within this RC time delay, the clock monitor indicates failure which asserts self clock mode or generates a system reset depending on the state of SCME bit. If the clock monitor is disabled or the presence of clocks is detected no failure is indicated. The clock monitor function is enabled/disabled by the CME control bit.

#### 4.2.5 Clock Quality Checker

The clock monitor performs a coarse check on the incoming clock signal. The clock quality checker provides a more accurate check in addition to the clock monitor.

A clock quality check is triggered by any of the following events:

- Power-on Reset (*POR*)
- Wake-up from Full Stop Mode (*full\_stop*)
- Clock Monitor fail indication (*CM\_fail*)

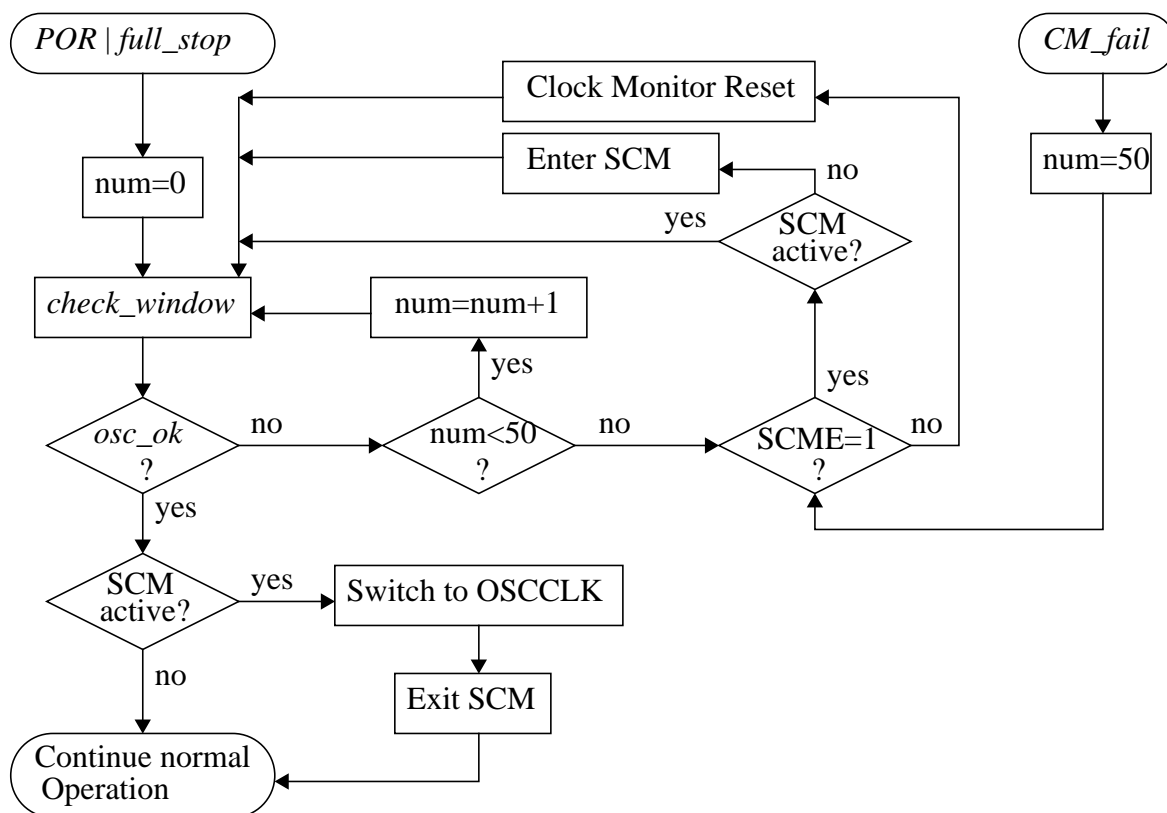
A time window of 50000 VCO clock cycles<sup>1</sup> is called *check\_window*.

NOTES:

1. VCO clock cycles are generated by the PLL when running at minimum frequency  $f_{SCM}$ .

A number greater equal than 4096 rising OSCCLK edges within a *check\_window* is called *osc\_ok*.

The Sequence for clock quality check is shown in **Figure 4-4**.



**Figure 4-4 Sequence for Clock Quality Check**

**NOTE:** Remember that in parallel to additional actions caused by Self Clock Mode or Clock Monitor Reset<sup>1</sup> handling the clock quality checker *continues* to check the OSCCLK signal.

**NOTE:** The Clock Quality Checker enables the PLL and the voltage regulator (VREG) anytime a clock check has to be performed. An ongoing clock quality check could also cause a running PLL ( $f_{SCM}$ ) and an active VREG during Pseudo-Stop Mode or Wait Mode

NOTES:

1. A Clock Monitor Reset will always set the SCME bit to logical '1'

## 4.2.6 Computer Operating Properly Watchdog (COP)

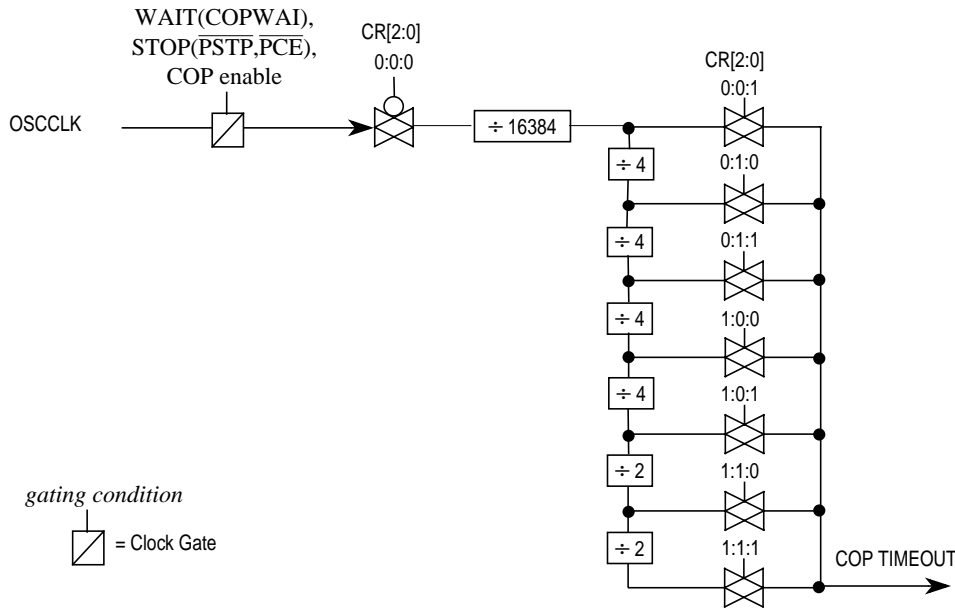


Figure 4-5 Clock Chain for COP

The COP (free running watchdog timer) enables the user to check that a program is running and sequencing properly. When the COP is being used, software is responsible for keeping the COP from timing out. If the COP times out it is an indication that the software is no longer being executed in the intended sequence; thus a system reset is initiated (see **5.2.2 Computer Operating Properly Watchdog (COP) Reset**). The COP runs with a gated OSCCLK (see **Figure 4-5 Clock Chain for COP**). Three control bits in the COPCTL register allow selection of seven COP time-out periods.

When COP is enabled, the program must write \$55 and \$AA (in this order) to the ARMCOP register during the selected time-out period. Once this is done, the COP time-out period is restarted. If the program fails to do this and the COP times out, the part will reset. Also, if any value other than \$55 or \$AA is written, the part is immediately reset.

Windowed COP operation is enabled by setting WCOP in the COPCTL register. In this mode, writes to the ARMCOP register to clear the COP timer must occur in the last 25% of the selected time-out period. A premature write will immediately reset the part.

If PCE bit is set, the COP will continue to run in Pseudo-Stop Mode.

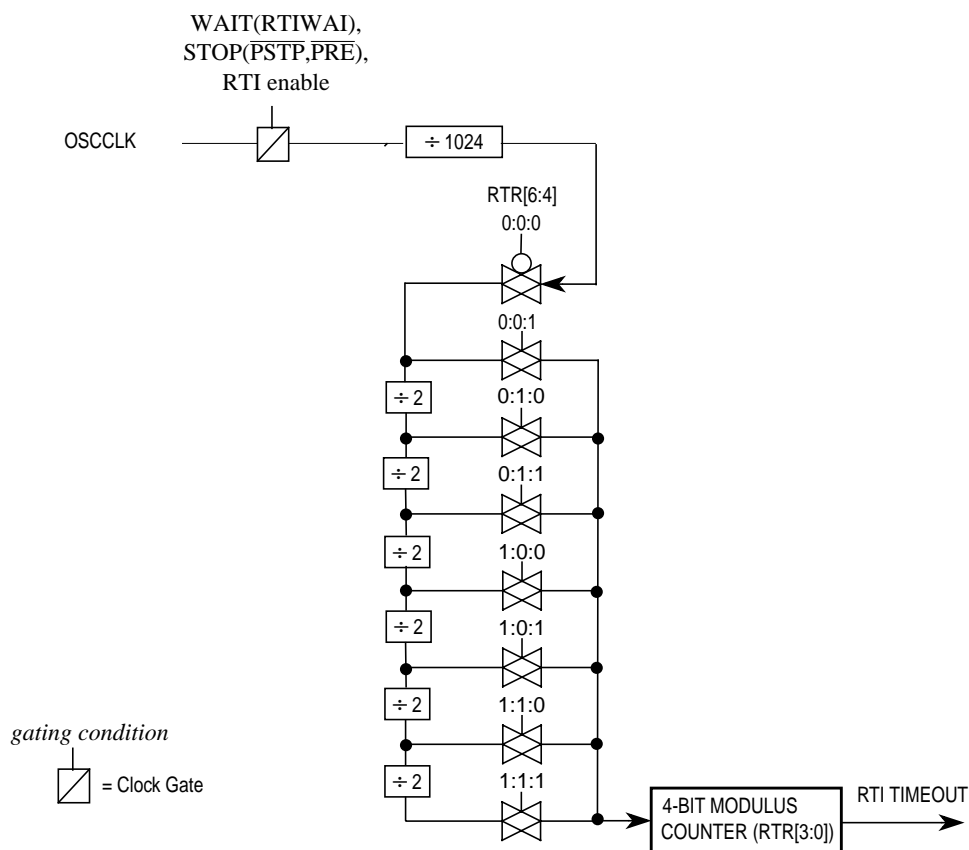
## 4.2.7 Real Time Interrupt (RTI)

The RTI can be used to generate a hardware interrupt at a fixed periodic rate. If enabled (by setting RTIE=1), this interrupt will occur at the rate selected by the RTICTL register. The RTI runs with a gated

OSCCLK (see **Figure 4-6 Clock Chain for RTI**). At the end of the RTI time-out period the RTIF flag is set to one and a new RTI time-out period starts immediately.

A write to the RTICTL register restarts the RTI time-out period.

If the PRE bit is set, the RTI will continue to run in Pseudo-Stop Mode.



**Figure 4-6 Clock Chain for RTI**

## 4.3 Operation Modes

### 4.3.1 Normal Mode

The CRG module behaves as described within this specification in all normal modes.

### 4.3.2 Self Clock Mode

The VCO has a minimum operating frequency,  $f_{SCM}$ . If the external clock frequency is not available due to a failure or due to long crystal start-up time, all MCU clocks are derived from the VCO running at

minimum operating frequency; this mode of operation is called Self Clock Mode. This requires CME=1 and SCME=1. In case the MCU was clocked by the PLL clock prior to entering Self Clock Mode, the PLLSEL bit will be cleared. In case the external clock signal has stabilized again, the CRG will automatically select OSCCLK to be the system clock and return to normal mode. See **4.2.5 Clock Quality Checker** for more information on entering and leaving Self Clock Mode.

**NOTE:** *In order to detect a potential clock loss the CME bit should be always enabled (CME=1)!*

*If CME bit is disabled and the MCU is configured to run on PLL clock (PLLCLK), a loss of external clock (OSCCLK) will not be detected and will cause the system clock to drift towards the VCO's minimum frequency  $f_{SCM}$ . As soon as the external clock is available again the system clock ramps up to its PLL target frequency. In case the MCU is running on external clock any loss of clock will cause the system to go static.*

## 4.4 Low Power Options

This section summarizes the low power options available in the CRG.

### 4.4.1 Run Mode

The RTI can be stopped by setting the associated rate select bits to zero.

The COP can be stopped by setting the associated rate select bits to zero.

### 4.4.2 Wait Mode

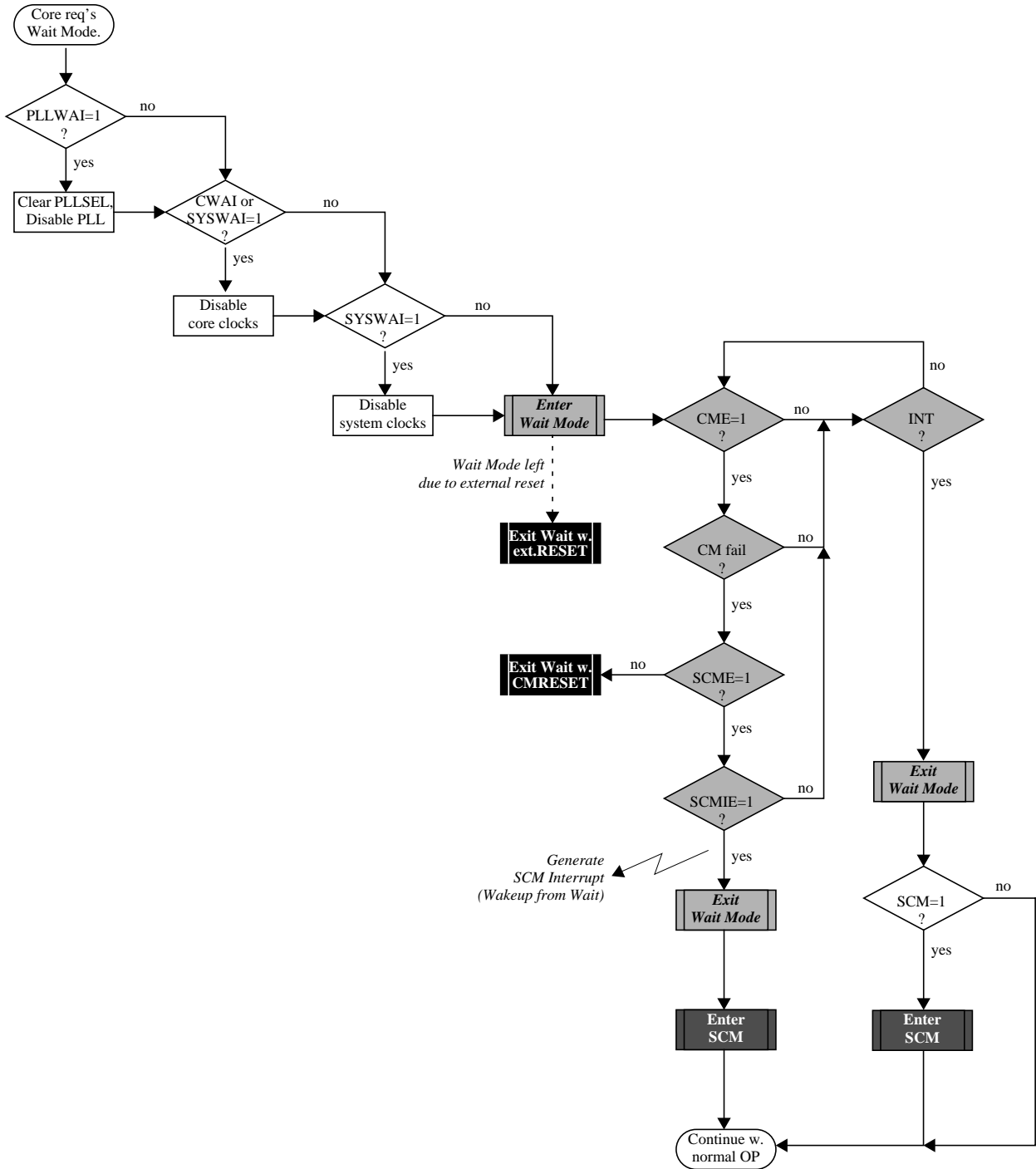
The WAI instruction puts the MCU in a low power consumption stand-by mode depending on setting of the individual bits in the CLKSEL register. All individual Wait Mode configuration bits can be superposed. This provides enhanced granularity in reducing the level of power consumption during Wait Mode. **Table 4-1** lists the individual configuration bits and the parts of the MCU that are affected in Wait Mode.

**Table 4-1 MCU configuration during Wait Mode**

	PLLWAI	CWAI	SYSWAI	RTIWAI	COPWAI	ROAWAI
<b>PLL</b>	stopped	-	-	-	-	-
<b>Core</b>	-	stopped	stopped	-	-	-
<b>System</b>	-	-	stopped	-	-	-
<b>RTI</b>	-	-	-	stopped	-	-
<b>COP</b>	-	-	-	-	stopped	-
<b>Oscillator</b>	-	-	-	-	-	reduced

After executing the WAI instruction the core requests the CRG to switch MCU into Wait Mode. The CRG then checks whether the PLLWAI, CWAI and SYSWAI bits are asserted (see **Figure 4-7 Wait Mode Entry/Exit Sequence**). Depending on the configuration the CRG switches the system and core clocks to

OSCCLK by clearing the PLLSEL bit, disables the PLL, disables the core clocks and finally disables the remaining system clocks. As soon as all clocks are switched off Wait Mode is active.



**Figure 4-7 Wait Mode Entry/Exit Sequence**



There are three different scenarios for the CRG to restart the MCU from Wait Mode:

- External Reset
- Clock Monitor Reset
- COP Reset
- Self Clock Mode Interrupt
- RTI

In case the MCU gets an external reset during Wait Mode active, the CRG asynchronously restores all configuration bits in the register space to its default settings and starts the reset generator. After completing the reset sequence processing begins by fetching the normal reset vector. Wait Mode is left and the MCU is in Run Mode again.

If the clock monitor is enabled (CME=1) the MCU is able to leave Wait-Mode when loss of oscillator/external clock is detected by a clock monitor fail. In case the SCME bit is not asserted the CRG generates a clock monitor fail reset (CMRESET). The CRG’s behavior for CMRESET is the same compared to external reset, but another reset vector is fetched after completion of the reset sequence. In case the SCME bit is asserted the CRG generates a SCM interrupt if enabled (SCMIE=1). After generating the interrupt the CRG enters Self-Clock Mode and starts the clock quality checker (see **4.2.5 Clock Quality Checker**). Then the MCU continues with normal operation. In case the SCM interrupt is blocked by SCMIE=0, the SCMIF flag will be asserted and clock quality checks will be performed but the MCU will not wake-up from Wait-Mode.

Wake-up from Wait-Mode can also be triggered by a wake-up interrupt event. In this case the MCU immediately continues with normal operation. If the PLL has been powered-down during Wait-Mode the PLLSEL bit is cleared and the MCU runs on OSCCLK after leaving Wait-Mode. The software must manually set the PLLSEL bit again, in order to switch system and core clocks to the PLLCLK.

In case Wait Mode is entered from Self-Clock Mode the CRG will continue to check the clock quality until clock check is successful. The PLL and voltage regulator (VREG) will remain enabled.

**Table 4-2** summarizes the outcome of a clock loss while in Wait Mode.

**Table 4-2 Outcome of Clock Loss in Wait Mode**

CME	SCME	SCMIE	CRG Actions
0	X	X	Clock failure --> No action, clock loss not detected.
1	0	X	Clock failure --> CRG performs Clock Monitor Reset immediately

**Table 4-2 Outcome of Clock Loss in Wait Mode**

CME	SCME	SCMIE	CRG Actions
1	1	0	<p>Clock failure --&gt;</p> <p>Scenario 1: OSCCLK <b>recovers</b> prior to exiting Wait Mode.</p> <ul style="list-style-type: none"> <li>- MCU remains in Wait Mode,</li> <li>- VREG enabled,</li> <li>- PLL enabled,</li> <li>- SCM activated,</li> <li>- Start Clock Quality Check,</li> <li>- Set SCMIF interrupt flag.</li> </ul> <p><i>Some time later OSCCLK recovers.</i></p> <ul style="list-style-type: none"> <li>- CM no longer indicates a failure,</li> <li>- 4096 OSCCLK cycles later Clock Quality Check indicates clock o.k.,</li> <li>- SCM deactivated,</li> <li>- PLL disabled depending on PLLWAI,</li> <li>- VREG remains enabled (<i>never gets disabled in Wait Mode</i>).</li> <li>- MCU remains in Wait Mode.</li> </ul> <p><i>Some time later either a wakeup interrupt occurs (no SCM interrupt)</i></p> <ul style="list-style-type: none"> <li>- Exit Wait Mode using OSCCLK as system clock (SYSCLK),</li> <li>- Continue normal operation.</li> </ul> <p><i>or an External Reset is applied.</i></p> <ul style="list-style-type: none"> <li>- Exit Wait Mode using OSCCLK as system clock,</li> <li>- Start reset sequence.</li> </ul> <p>Scenario 2: OSCCLK <b>does not recover</b> prior to exiting Wait Mode.</p> <ul style="list-style-type: none"> <li>- MCU remains in Wait Mode,</li> <li>- VREG enabled,</li> <li>- PLL enabled,</li> <li>- SCM activated,</li> <li>- Start Clock Quality Check,</li> <li>- Set SCMIF interrupt flag,</li> <li>- Keep performing Clock Quality Checks (could continue infinitely) while in Wait Mode.</li> </ul> <p><i>Some time later either a wakeup interrupt occurs (no SCM interrupt)</i></p> <ul style="list-style-type: none"> <li>- Exit Wait Mode in SCM using PLL clock (<math>f_{SCM}</math>) as system clock,</li> <li>- Continue to perform additional Clock Quality Checks until OSCCLK is o.k. again.</li> </ul> <p><i>or an External RESET is applied.</i></p> <ul style="list-style-type: none"> <li>- Exit Wait Mode in SCM using PLL clock (<math>f_{SCM}</math>) as system clock,</li> <li>- Start reset sequence,</li> <li>- Continue to perform additional Clock Quality Checks until OSCCLK is o.k. again.</li> </ul>

**Table 4-2 Outcome of Clock Loss in Wait Mode**

CME	SCME	SCMIE	CRG Actions
1	1	1	Clock failure --> <ul style="list-style-type: none"> <li>- VREG enabled,</li> <li>- PLL enabled,</li> <li>- SCM activated,</li> <li>- Start Clock Quality Check,</li> <li>- SCMIF set.</li> </ul> <p><i>SCMIF generates Self Clock Mode wakeup interrupt.</i></p> <ul style="list-style-type: none"> <li>- Exit Wait Mode in SCM using PLL clock (<math>f_{SCM}</math>) as system clock,</li> <li>- Continue to perform a additional Clock Quality Checks until OSCCLK is o.k. again.</li> </ul>

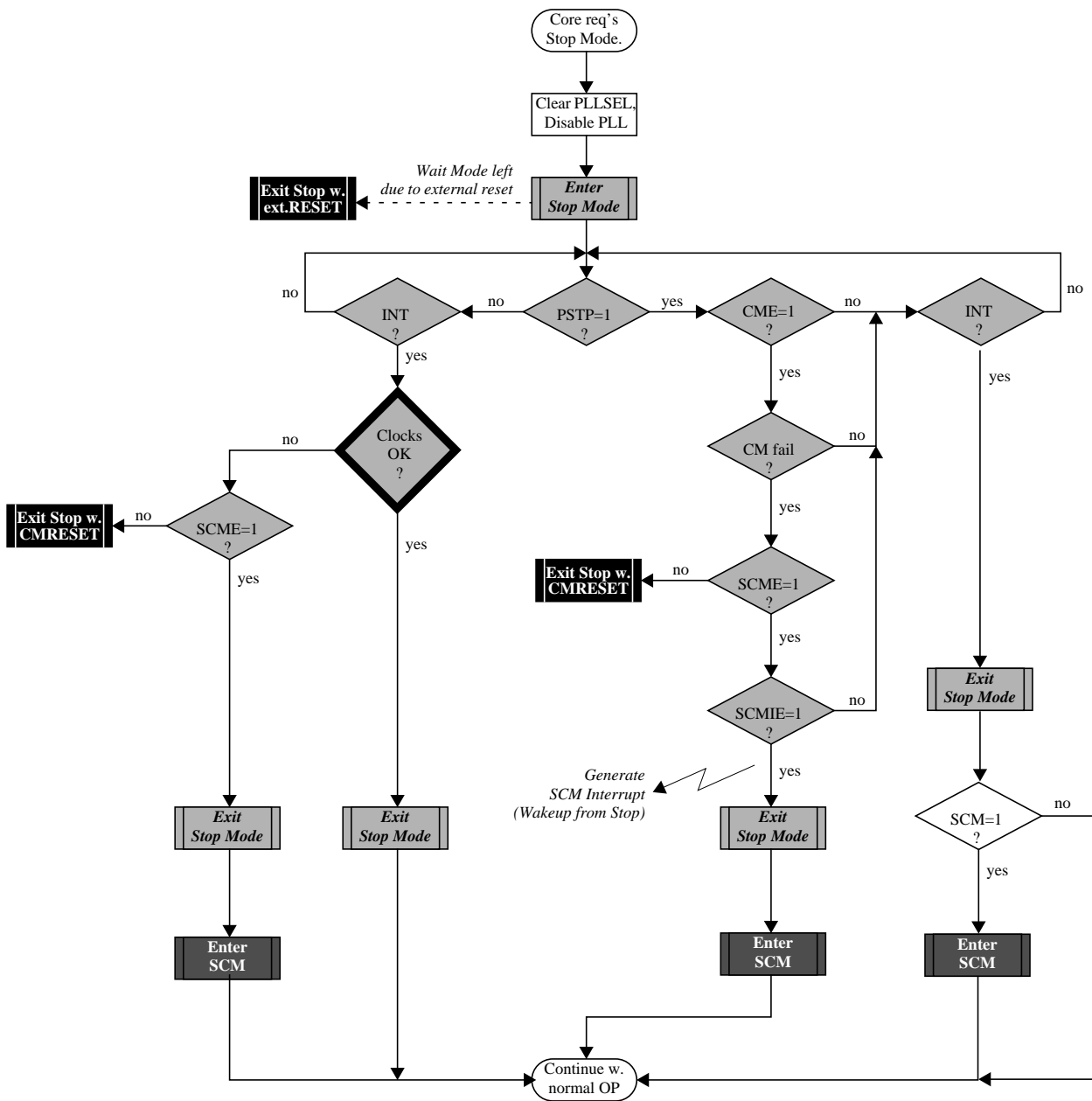
### 4.4.3 CPU Stop Mode

All clocks are stopped in STOP mode, dependent of the setting of the PCE, PRE and PSTP bit. The oscillator is disabled in STOP mode unless the PSTP bit is set. All counters and dividers remain frozen but do not initialize. If the PRE or PCE bits are set, the RTI or COP continues to run in Pseudo-Stop Mode. In addition to disabling system and core clocks the CRG requests other functional units of the MCU (e.g. voltage-regulator) to enter their individual powersaving modes (if available). This is the main difference between Pseudo-Stop Mode and Wait Mode.

After executing the STOP instruction the core requests the CRG to switch the MCU into Stop Mode. If the PLLSEL bit is still set when entering Stop-Mode, the CRG will switch the system and core clocks to OSCCLK by clearing the PLLSEL bit. Then the CRG disables the PLL, disables the core clock and finally disables the remaining system clocks. As soon as all clocks are switched off Stop-Mode is active.

In case Pseudo-Stop Mode (PSTP=1) is entered from Self-Clock Mode the CRG will continue to check the clock quality until clock check is successful. The PLL and the voltage regulator (VREG) will remain enabled. In case Full-Stop Mode (PSTP=0) is entered from Self-Clock Mode an ongoing clock quality check will be stopped. A complete timeout window check will be started when Stop Mode is left again.

Wake-up from Stop-Mode also depends on the setting of the PSTP bit.



**Figure 4-8 Stop Mode Entry/Exit Sequence**

**4.4.3.1 Wake-up from Pseudo-Stop (PSTP=1)**

Wake-up from Pseudo-Stop is the same as wake-up from Wait-Mode. There are also three different scenarios for the CRG to restart the MCU from Pseudo-Stop Mode:

- External Reset
- Clock Monitor Fail
- Wake-up Interrupt

In case the MCU gets an external reset during Pseudo-Stop Mode active, the CRG asynchronously restores all configuration bits in the register space to its default settings and starts the reset generator. After completing the reset sequence processing begins by fetching the normal reset vector. Pseudo-Stop Mode is left and the MCU is in Run Mode again.

If the clock monitor is enabled (CME=1) the MCU is able to leave Pseudo-Stop Mode when loss of oscillator/external clock is detected by a clock monitor fail. In case the SCME bit is not asserted the CRG generates a clock monitor fail reset (CMRESET). The CRG’s behavior for CMRESET is the same compared to external reset, but another reset vector is fetched after completion of the reset sequence. In case the SCME bit is asserted the CRG generates a SCM interrupt if enabled (SCMIE=1). After generating the interrupt the CRG enters Self-Clock Mode and starts the clock quality checker (see **4.2.5 Clock Quality Checker**). Then the MCU continues with normal operation. In case the SCM interrupt is blocked by SCMIE=0, the SCMIF flag will be asserted but the CRG will not wake-up from Pseudo-Stop Mode.

The regular wake-up from Pseudo-Stop Mode triggered by a wake-up interrupt event. In this case the MCU immediately continues with normal operation. Because the PLL has been powered-down during Stop-Mode the PLLSEL bit is cleared and the MCU runs on OSCCLK after leaving Stop-Mode. The software must set the PLLSEL bit again, in order to switch system and core clocks to the PLLCLK.

**Table 4-3** summarizes the outcome of a clock loss while in Pseudo-Stop Mode.

**Table 4-3 Outcome of Clock Loss in Pseudo-Stop Mode**

CME	SCME	SCMIE	CRG Actions
0	X	X	Clock failure --> No action, clock loss not detected.
1	0	X	Clock failure --> CRG performs Clock Monitor Reset immediately

**Table 4-3 Outcome of Clock Loss in Pseudo-Stop Mode**

CME	SCME	SCMIE	CRG Actions
1	1	0	<p>Clock Monitor failure --&gt;</p> <p>Scenario 1: OSCCLK <b>recovers</b> prior to exiting Pseudo-Stop Mode.</p> <ul style="list-style-type: none"> <li>- MCU remains in Pseudo-Stop Mode,</li> <li>- VREG enabled,</li> <li>- PLL enabled,</li> <li>- SCM activated,</li> <li>- Start Clock Quality Check,</li> <li>- Set SCMIF interrupt flag.</li> </ul> <p><i>Some time later OSCCLK recovers.</i></p> <ul style="list-style-type: none"> <li>- CM no longer indicates a failure,</li> <li>- 4096 OSCCLK cycles later Clock Quality Check indicates clock o.k.,</li> <li>- SCM deactivated,</li> <li>- PLL disabled,</li> <li>- VREG disabled.</li> <li>- MCU remains in Pseudo-Stop Mode.</li> </ul> <p><i>Some time later either a wakeup interrupt occurs (no SCM interrupt)</i></p> <ul style="list-style-type: none"> <li>- Exit Pseudo-Stop Mode using OSCCLK as system clock (SYSCLK),</li> <li>- Continue normal operation.</li> </ul> <p><i>or an External Reset is applied.</i></p> <ul style="list-style-type: none"> <li>- Exit Pseudo-Stop Mode using OSCCLK as system clock,</li> <li>- Start reset sequence.</li> </ul> <p>Scenario 2: OSCCLK <b>does not recover</b> prior to exiting Pseudo-Stop Mode.</p> <ul style="list-style-type: none"> <li>- MCU remains in Pseudo-Stop Mode,</li> <li>- VREG enabled,</li> <li>- PLL enabled,</li> <li>- SCM activated,</li> <li>- Start Clock Quality Check,</li> <li>- Set SCMIF interrupt flag,</li> <li>- Keep performing Clock Quality Checks (could continue infinitely) while in Pseudo-Stop Mode.</li> </ul> <p><i>Some time later either a wakeup interrupt occurs (no SCM interrupt)</i></p> <ul style="list-style-type: none"> <li>- Exit Pseudo-Stop Mode in SCM using PLL clock (<math>f_{SCM}</math>) as system clock</li> <li>- Continue to perform additional Clock Quality Checks until OSCCLK is o.k. again.</li> </ul> <p><i>or an External RESET is applied.</i></p> <ul style="list-style-type: none"> <li>- Exit Pseudo-Stop Mode in SCM using PLL clock (<math>f_{SCM}</math>) as system clock</li> <li>- Start reset sequence,</li> <li>- Continue to perform additional Clock Quality Checks until OSCCLK is o.k.again.</li> </ul>

**Table 4-3 Outcome of Clock Loss in Pseudo-Stop Mode**

CME	SCME	SCMIE	CRG Actions
1	1	1	Clock failure --> <ul style="list-style-type: none"> <li>- VREG enabled,</li> <li>- PLL enabled,</li> <li>- SCM activated,</li> <li>- Start Clock Quality Check,</li> <li>- SCMIF set.</li> </ul> <p><i>SCMIF generates Self Clock Mode wakeup interrupt.</i></p> <ul style="list-style-type: none"> <li>- Exit Pseudo-Stop Mode in SCM using PLL clock (<math>f_{SCM}</math>) as system clock,</li> <li>- Continue to perform a additional Clock Quality Checks until OSCCLK is o.k. again.</li> </ul>

#### 4.4.3.2 Wake-up from Full Stop (PSTP=0)

The MCU requires an interrupt or an external reset in order to wake-up from Stop-Mode.

In case the MCU gets an external reset during Full Stop Mode active, the CRG asynchronously restores all configuration bits in the register space to its default settings and will perform a maximum of 50 clock *check\_windows* (see **4.2.5 Clock Quality Checker**). After completing the clock quality check the CRG starts the reset generator. After completing the reset sequence processing begins by fetching the normal reset vector. Full Stop-Mode is left and the MCU is in Run Mode again.

If the MCU is woken-up by an interrupt, the CRG will also perform a maximum of 50 clock *check\_windows* (see **4.2.5 Clock Quality Checker**). In case the clock quality check is successful, the CRG will release all system and core clocks and will continue with normal operation. If all clock checks within the Timeout-Window are failing, the CRG will switch to Self-Clock Mode or generate a clock monitor reset (CMRESET) depending on the setting of the SCME bit.

Because the PLL has been powered-down during Stop-Mode the PLLSEL bit is cleared and the MCU runs on OSCCLK after leaving Stop-Mode. The software must manually set the PLLSEL bit again, in order to switch system and core clocks to the PLLCLK.

**NOTE:** *In Full Stop Mode the clock monitor is disabled and any loss of clock will not be detected.*





## Section 5 Resets

### 5.1 General

This section describes how to reset the CRG and how the CRG itself controls the reset of the MCU. It explains all special reset requirements. Since the reset generator for the MCU is part of the CRG this section also describes all automatic actions that occur during or as a result of individual reset conditions. The reset values of registers and signals are provided in **Section 3 Memory Map and Registers**. All reset sources are listed in **Table 5-1**. Refer to MCU specification for related vector addresses and priorities.

**Table 5-1 Reset Summary**

Reset Source	Local Enable
Power-on Reset	None
External Reset	None
Clock Monitor Reset	PLLCTL (CME=1, SCME=0)
COP Watchdog Reset	COPCTL (CR[2:0] nonzero)

### 5.2 Description of Reset Operation

The reset sequence is initiated by any of the following events:

- Low level is detected at the  $\overline{\text{RESET}}$  pin (External Reset).
- Power-on is detected.
- COP watchdog times out.
- Clock monitor failure is detected and Self-Clock Mode was disabled (SCME=0).

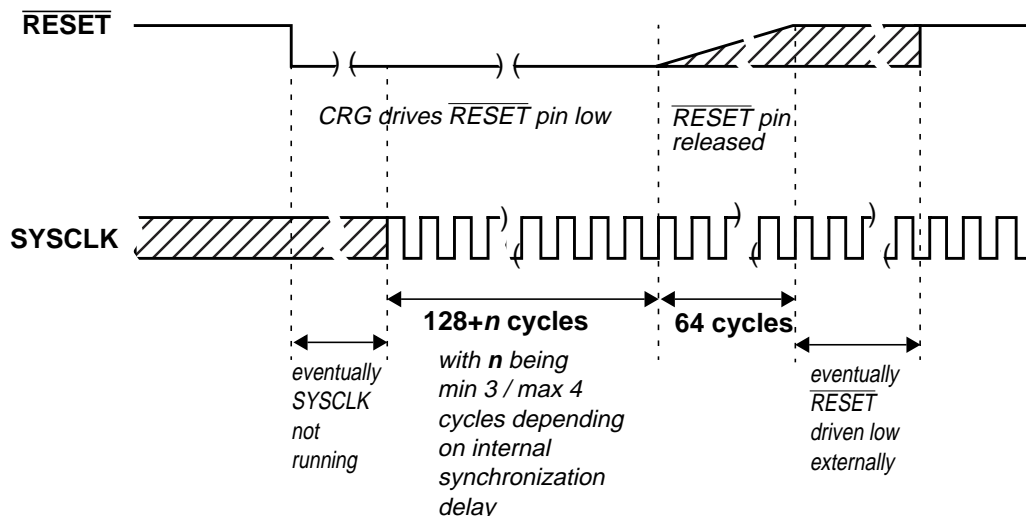
Upon detection of any reset event, an internal circuit drives the  $\overline{\text{RESET}}$  pin low for 128 SYSCLK cycles (see **Figure 5-1**). Since entry into reset is asynchronous it does not require a running SYSCLK. However, the internal reset circuit of the CRG cannot sequence out of current reset condition without a running SYSCLK. The number of 128 SYSCLK cycles might be increased by n=3 to 6 additional SYSCLK cycles depending on the internal synchronization latency. After 128+n SYSCLK cycles the  $\overline{\text{RESET}}$  pin is released. The reset generator circuit of the CRG waits for additional 64 SYSCLK cycles before it determines the originating source of the actual reset condition. If neither clock monitor fail nor COP timeout are pending, processing begins by fetching the normal reset vector.

**NOTE:** *External circuitry connected to the  $\overline{\text{RESET}}$  pin should not include a large capacitance that would interfere with the ability of this signal to rise to a valid logic one within 64 SYSCLK cycles after the low drive is released.*

The internal reset of the MCU remains asserted while the reset generator completes the 192 SYSCLK long reset sequence. The reset generator circuitry always makes sure the internal reset is deasserted

synchronously after completion of the 192 SYSCLK cycles. In case the  $\overline{\text{RESET}}$  pin is externally driven low for more than these 192 SYSCLK cycles (External Reset), the internal reset remains asserted too.

**Figure 5-1 RESET Timing**



### 5.2.1 Clock Monitor Reset

The CRG generates a Clock Monitor Reset in case all of the following conditions are true:

- Clock monitor is enabled (CME=1)
- Loss of clock is detected
- Self-Clock Mode is disabled (SCME=0).

The reset event asynchronously forces the configuration registers to their default settings (see **Section 3 Memory Map and Registers**). In detail the CME and the SCME are reset to logical '1' (which doesn't change the state of the CME bit, because it has already been set). As a consequence the CRG immediately enters Self Clock Mode and starts its internal reset sequence. In parallel the clock monitor checks for crystal activity. As soon as crystal activity is detected the clock checker evaluates the incoming clock signal. When the clock checker indicates the incoming clock signal meets the quality requirements the CRG switches to OSCCLK and leaves Self Clock Mode again. Since the clock quality checker is running in parallel to the reset generator, the CRG may leave Self Clock Mode while still completing the internal reset sequence. When the reset sequence is finished the CRG checks the internally latched state of the clock monitor fail circuit. If a clock monitor fail is indicated processing begins by fetching the Clock Monitor Reset vector.

### 5.2.2 Computer Operating Properly Watchdog (COP) Reset

When COP is enabled, the CRG expects sequential write of \$55 and \$AA (in this order) to the ARMCOP register during the selected time-out period. Once this is done, the COP time-out period restarts. If the program fails to do this the CRG will generate a reset. Also, if any value other than \$55 or \$AA is written, the CRG immediately generates a reset. In case windowed COP operation is enabled writes (\$55 or \$AA) to the ARMCOP register must occur in the last 25% of the selected time-out period. A premature write the CRG will immediately generate a reset.

As soon as the reset sequence is completed the reset generator checks the reset condition. If no clock monitor failure is indicated and the latched state of the COP timeout is true, processing begins by fetching the COP vector.

### 5.2.3 Power-On Reset

An on-chip power-on detector circuit detects when VDD to the MCU has reached a certain level and asserts reset to the internal circuits. The detector circuit is triggered by the slew rate. As soon as a power-on reset is triggered the CRG performs a quality check on the incoming clock signal. Start of the reset sequence is delayed until the clock check indicates a valid clock signal or the clock check was unsuccessful and the CRG enters Self-Clock Mode.

Figure 5-2 and Figure 5-3 show the power-up sequence for cases when the  $\overline{\text{RESET}}$  pin is tied to VDD and when the  $\overline{\text{RESET}}$  pin is held low.

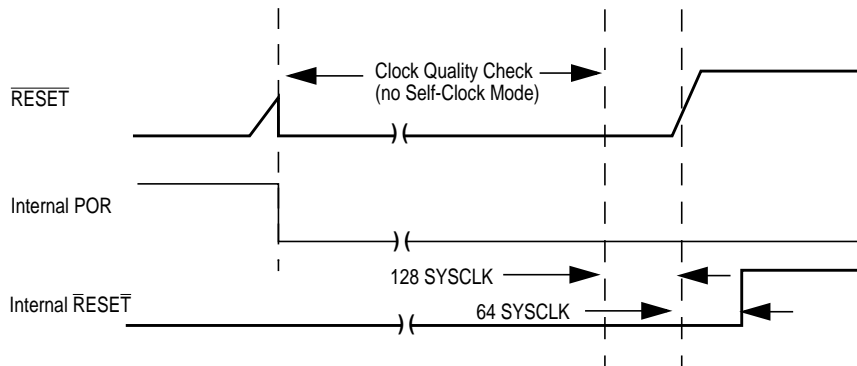
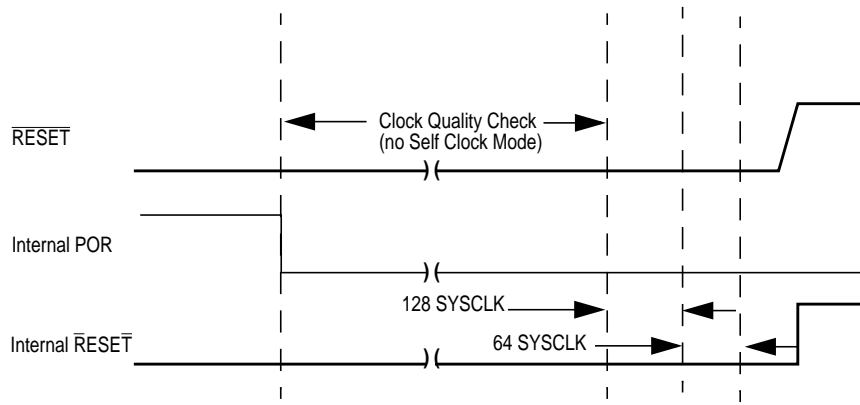


Figure 5-2  $\overline{\text{RESET}}$  pin tied to VDD (by a pull-up resistor)



**Figure 5-3  $\overline{\text{RESE}}\overline{\text{T}}$  pin held low externally**

Freescale Semiconductor, Inc.

## Section 6 Interrupts

### 6.1 General

This section describes all interrupts originated by the CRG.

The interrupts/reset vectors requested by the CRG are listed in **Table 6-1**. Refer to MCU specification for related vector addresses and priorities.

**Table 6-1 CRG Interrupt Vectors**

Interrupt Source	CCR Mask	Local Enable
Real time interrupt	I bit	CRGINT (RTIE)
LOCK interrupt	I bit	CRGINT (LOCKIE)
SCM interrupt	I bit	CRGINT (SCMIE)

### 6.2 Description of Interrupt Operation

#### 6.2.1 Real Time Interrupt

The CRG generates a real time interrupt when the selected interrupt time period elapses. RTI interrupts are locally disabled by setting the RTIE bit to zero. The real time interrupt flag (RTIF) is set to 1 when a timeout occurs, and is cleared to 0 by writing a 1 to the RTIF bit.

The RTI continues to run during Pseudo Stop Mode if the PRE bit is set to 1. This feature can be used for periodic wakeup from Pseudo Stop if the RTI interrupt is enabled.

#### 6.2.2 PLL Lock Interrupt

The CRG generates a PLL Lock interrupt when the LOCK condition of the PLL has changed, either from a locked state to an unlocked state or vice versa. Lock interrupts are locally disabled by setting the LOCKIE bit to zero. The PLL Lock interrupt flag (LOCKIF) is set to 1 when the LOCK condition has changed, and is cleared to 0 by writing a 1 to the LOCKIF bit.

#### 6.2.3 Self Clock Mode Interrupt

The CRG generates a Self Clock Mode interrupt when the SCM condition of the system has changed, either entered or exited Self Clock Mode. SCM conditions can only change if the Self Clock Mode enable bit (SCME) is set to 1. SCM conditions are caused by a failing clock quality check after Power-on-Reset (POR) or recovery from Full Stop Mode (PSTP=0) or Clock Monitor failure. For details on the clock quality check refer to **4.2.5 Clock Quality Checker**. If the clock monitor is enabled (CME=1) a loss of external clock will also cause a SCM condition (SCME=1).

SCM interrupts are locally disabled by setting the SCMIE bit to zero. The SCM interrupt flag (SCMIF) is set to 1 when the SCM condition has changed, and is cleared to 0 by writing a 1 to the SCMIF bit.



**FINAL PAGE OF  
56  
PAGES**