

Re: I am trying to use the I2C LCD with RGB backlight with a different uCont

1 message

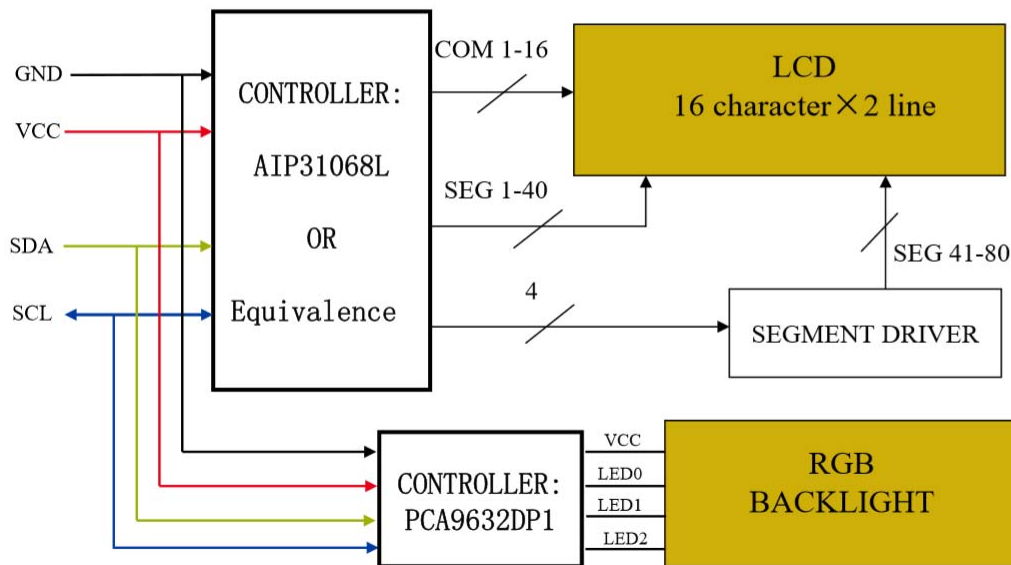
seeed\_support <tickets@seeed.uservice.com>  
To: dekohn <dekohn@memphis.edu>

Thu, Jan 4, 2018 at 7:46 PM

Hi Daniel

Here is the diagram. It is AIP31068L. thanks.

### 6. BLOCK DIAGRAM



best wishes  
Bill

Helpful? Click to give seeed\_support thanks!

On January 05, 2018 at 5:21 AM dekohn <dekohn@memphis.edu> wrote:

I am trying to use the I2C LCD with RGB backlight with a different uCont. I know the RGB uses the PCA9633 for the RGB but what IC does the translation from I2C to the Parallel LCD HD4470?

Powered by UserVoice.