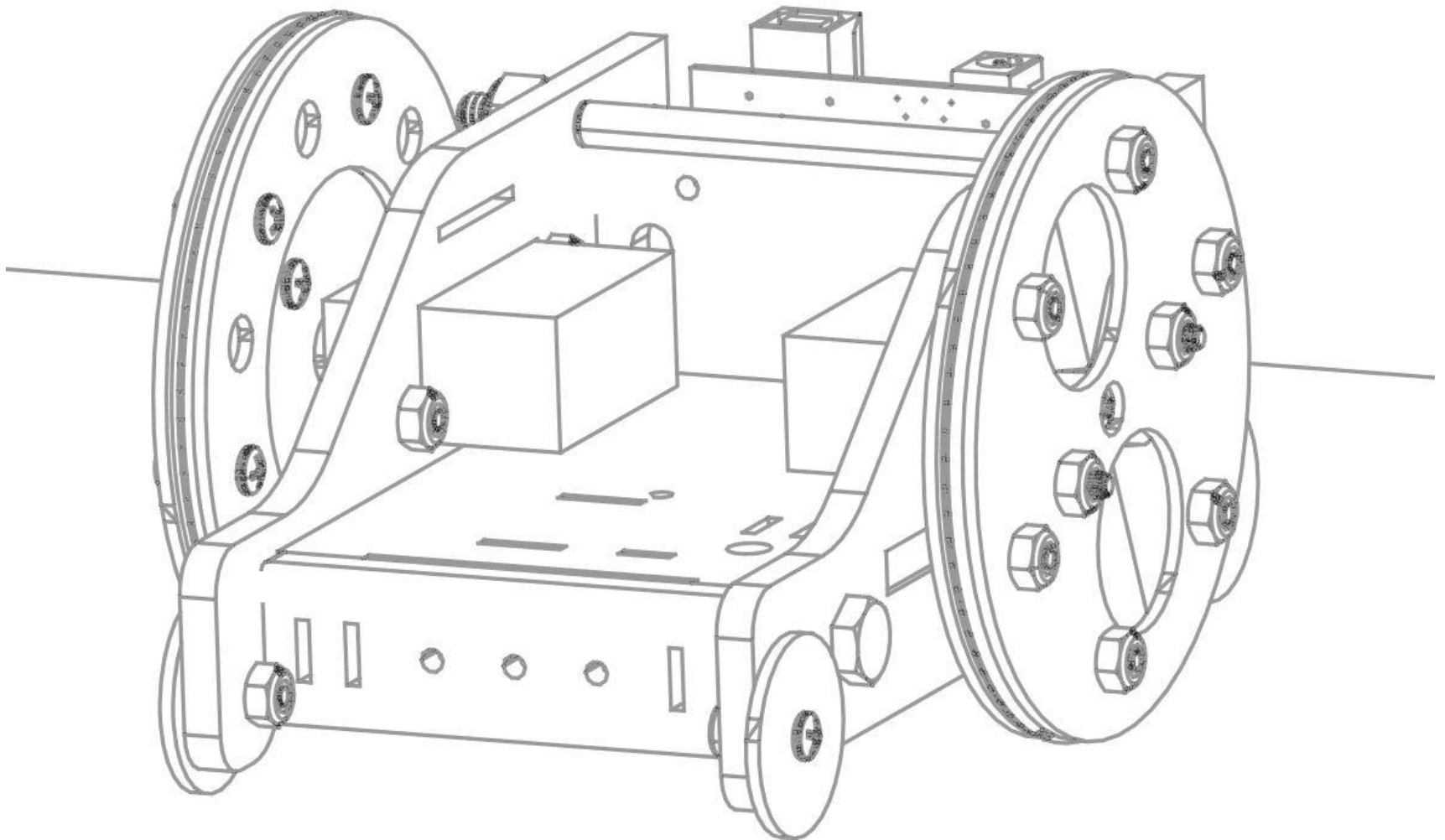


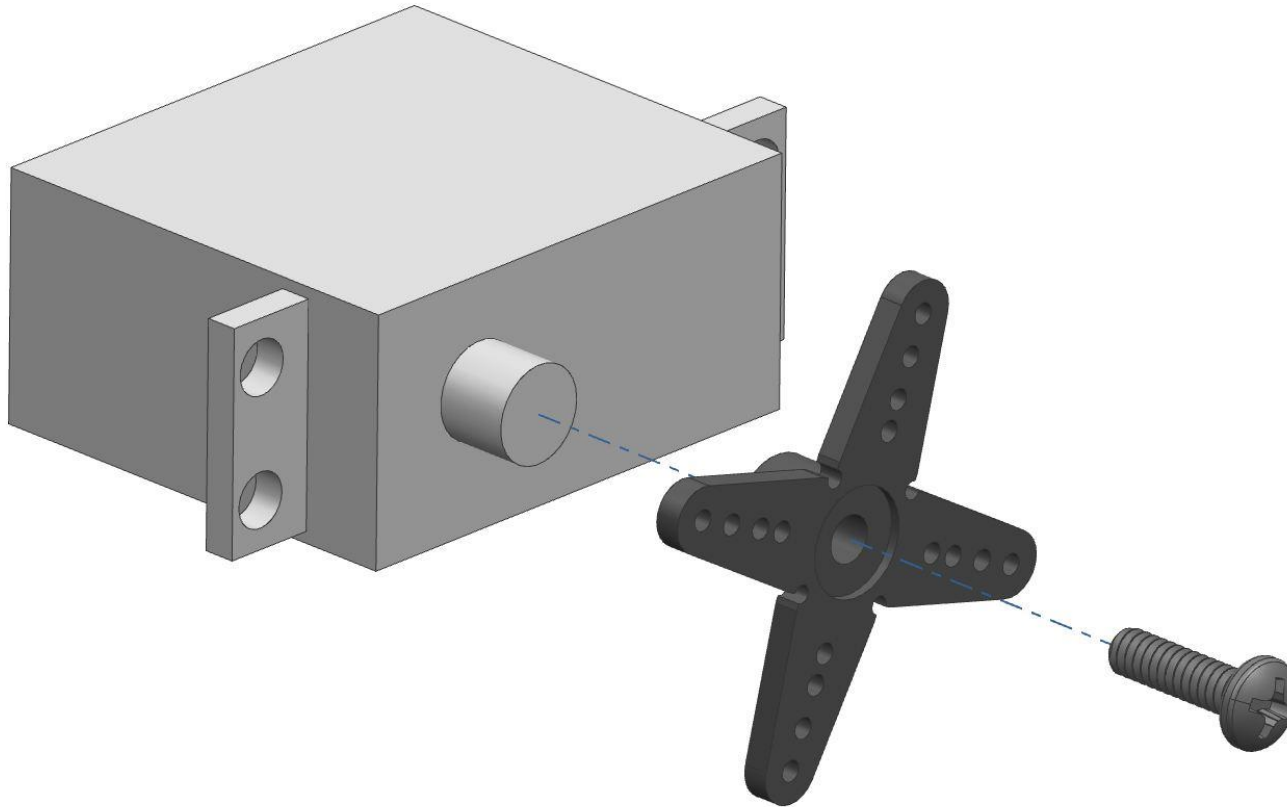
Assembly



Wheel Assembly



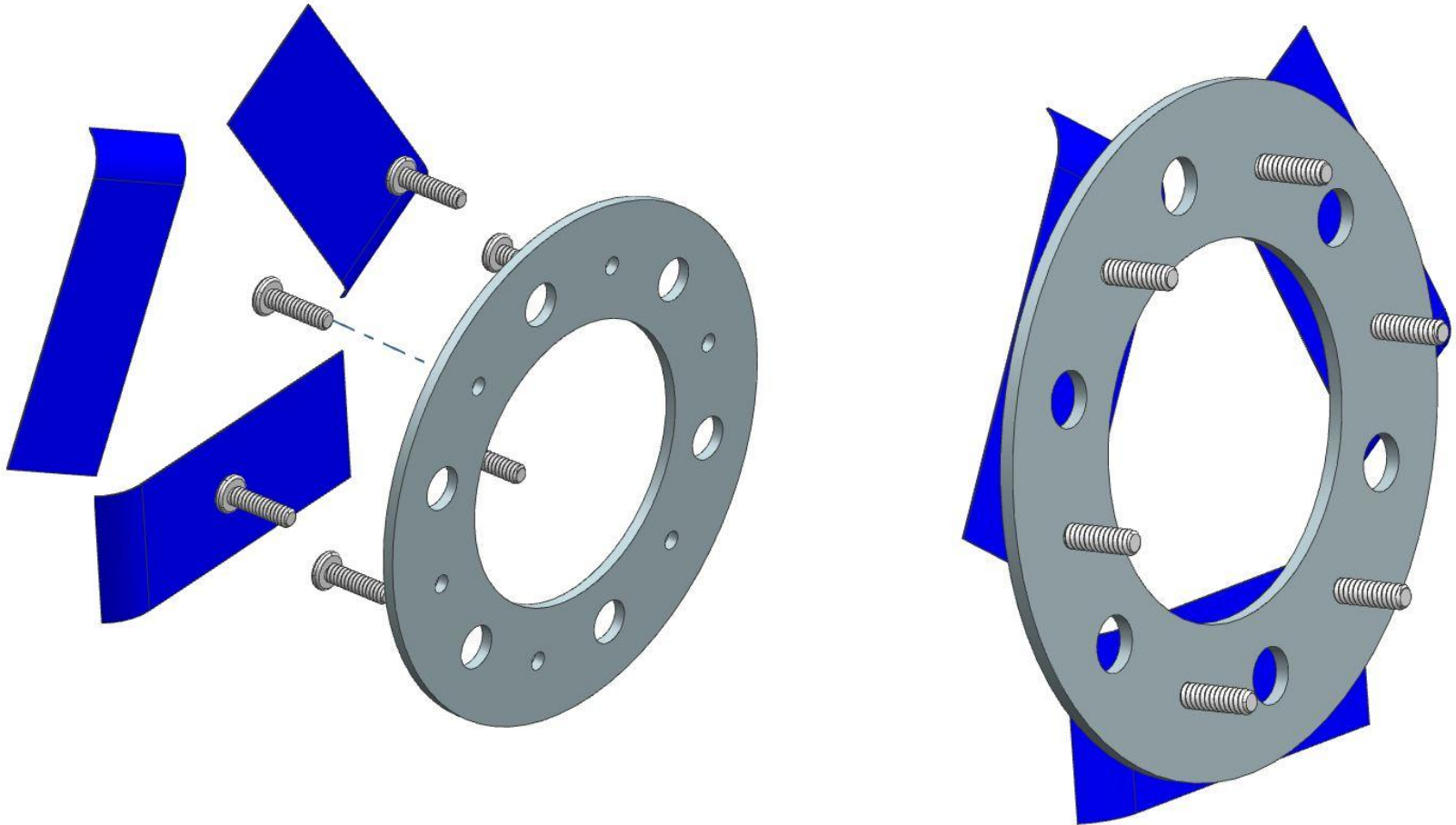
Remove Horn from Servo



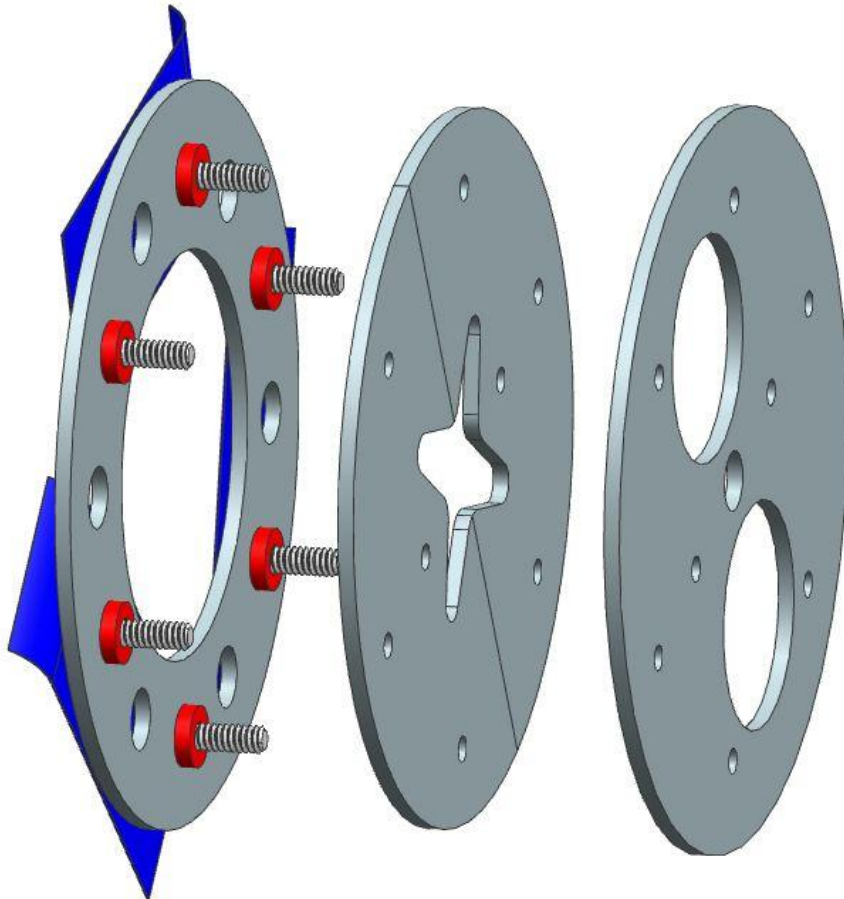
Put the screw back into the servo when the horn is off.

Keep the screw! We don't have extras!

Tape Screws (8) to Wheel (16)

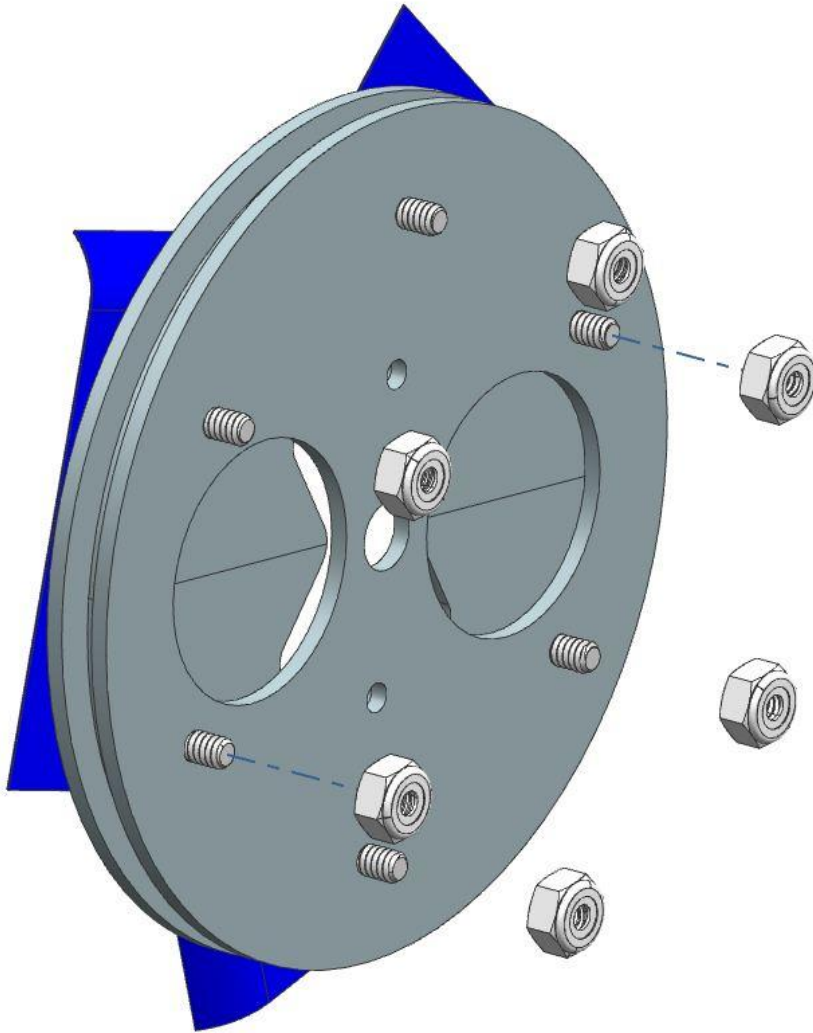


Add Spacers (14) Half Drive Wheel (15) and Outer Wheel Disk (18)

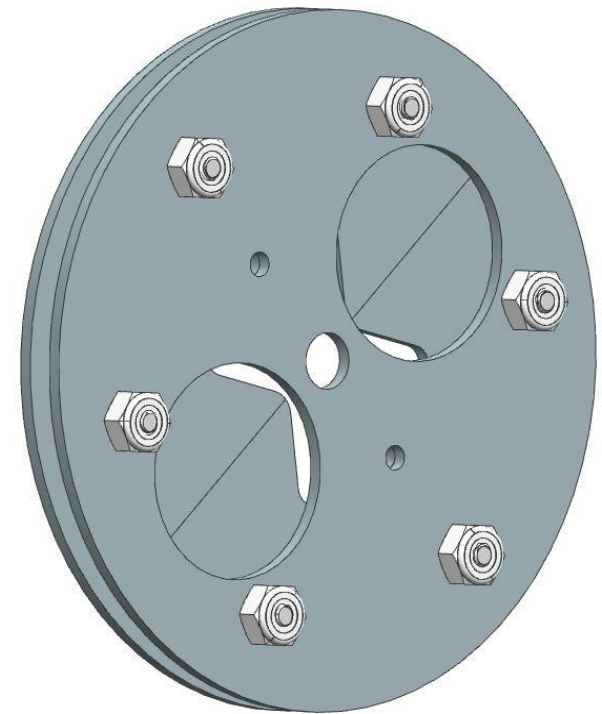


BE SURE that the two small holes in the center line up!

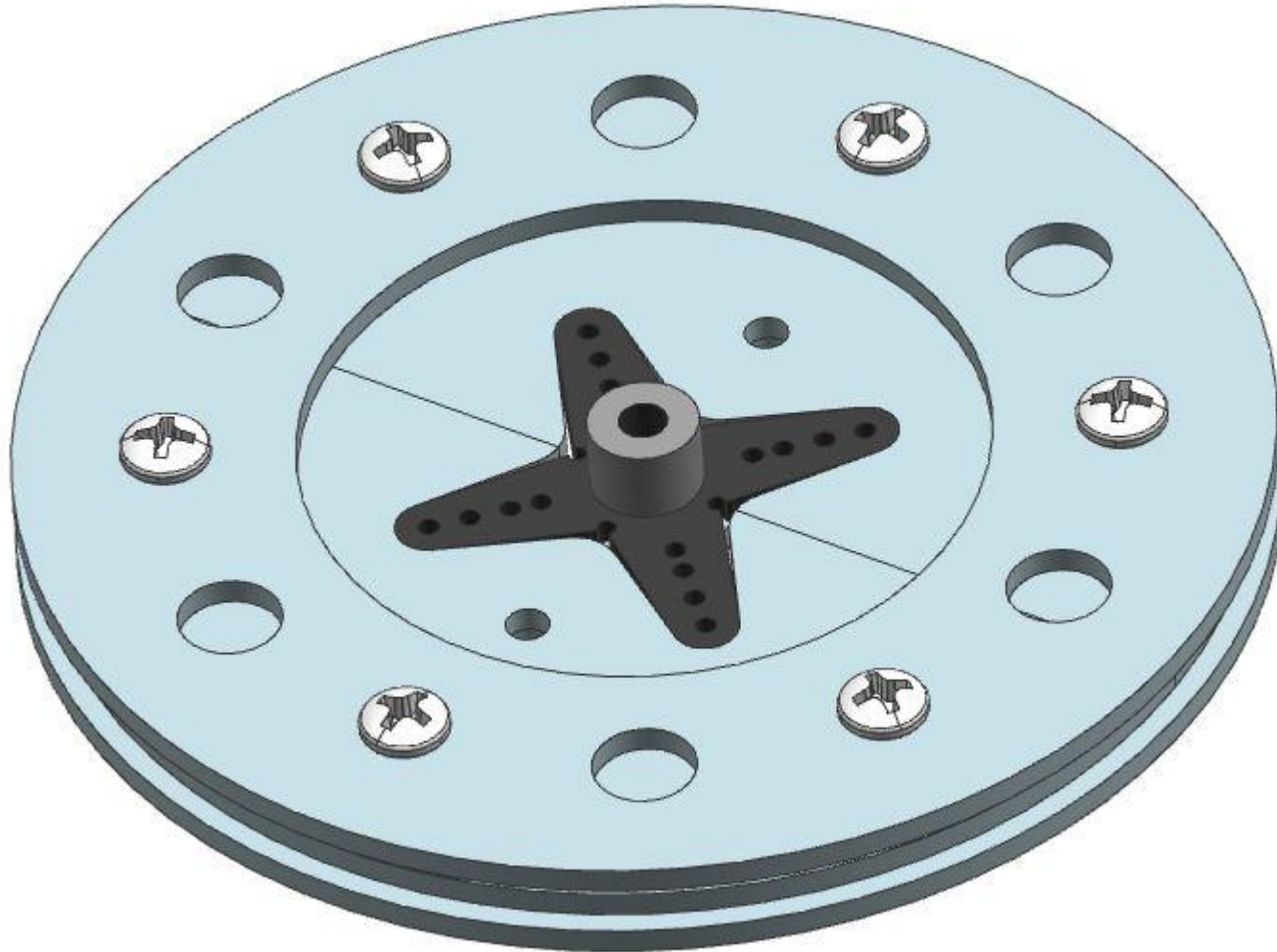
Add Lock Nuts (9)



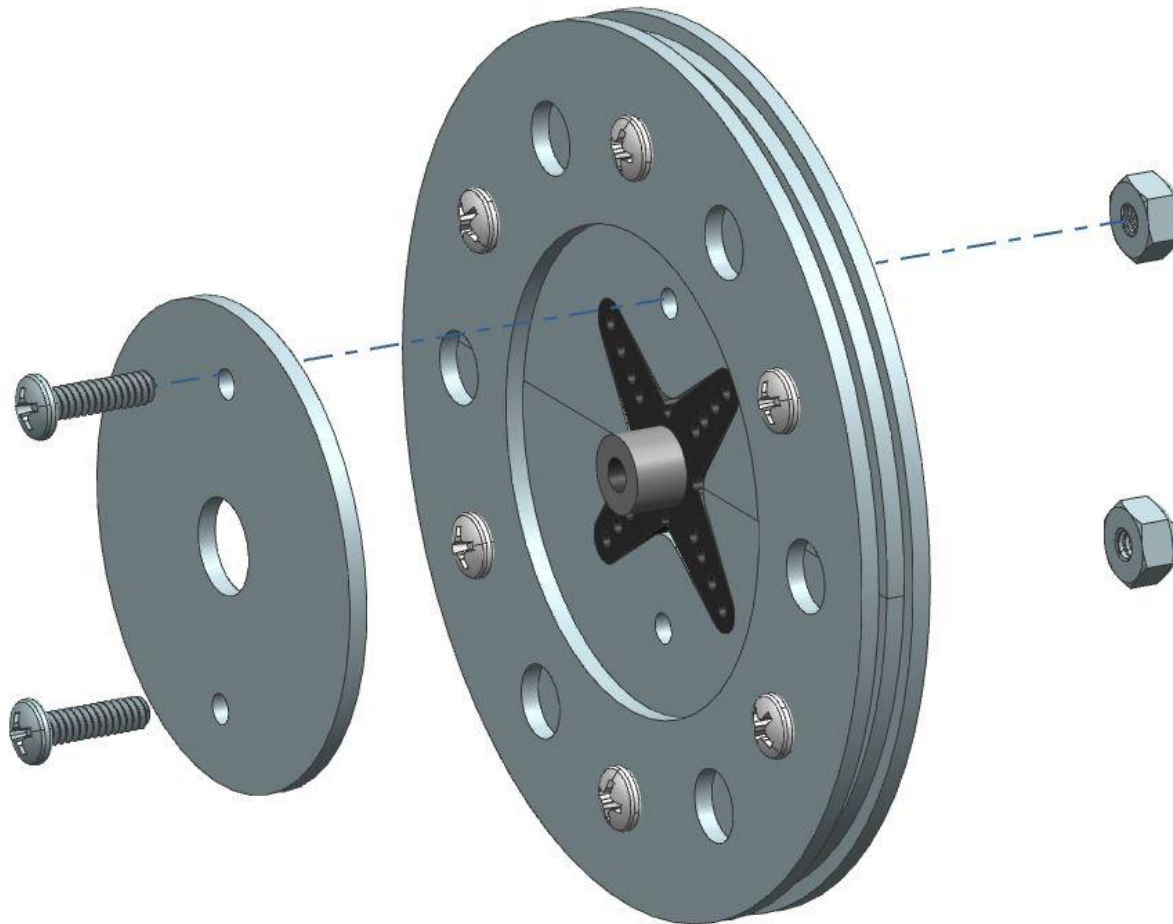
You can remove the tape when the nuts are on.



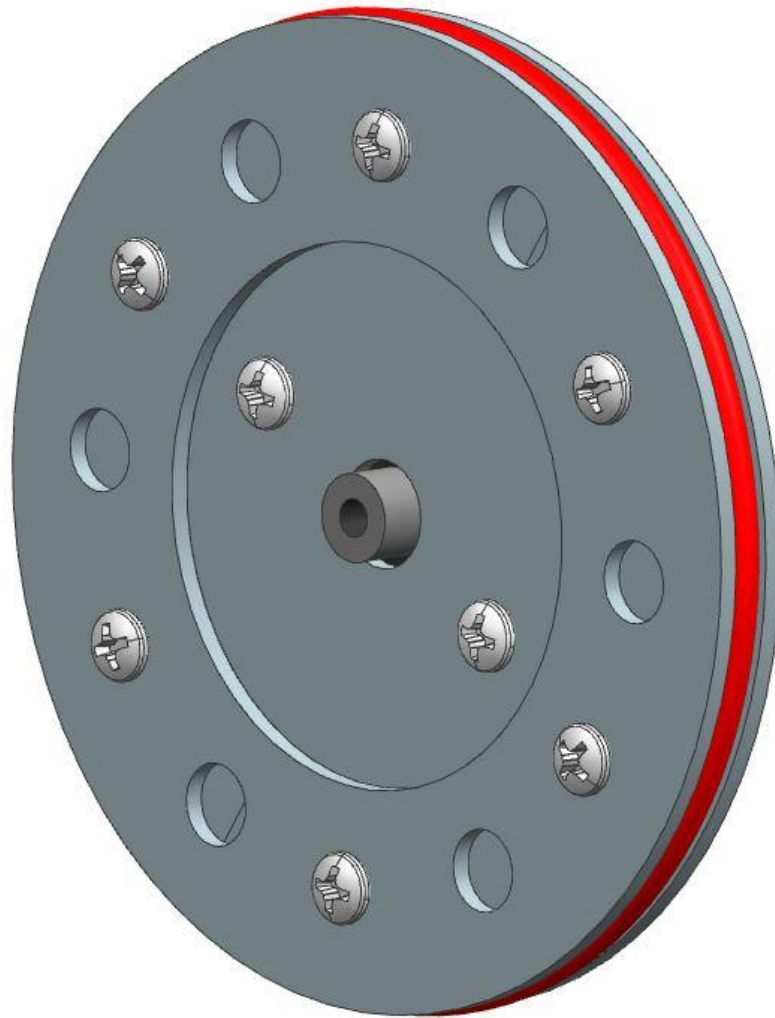
Add Servo Horn as Shown



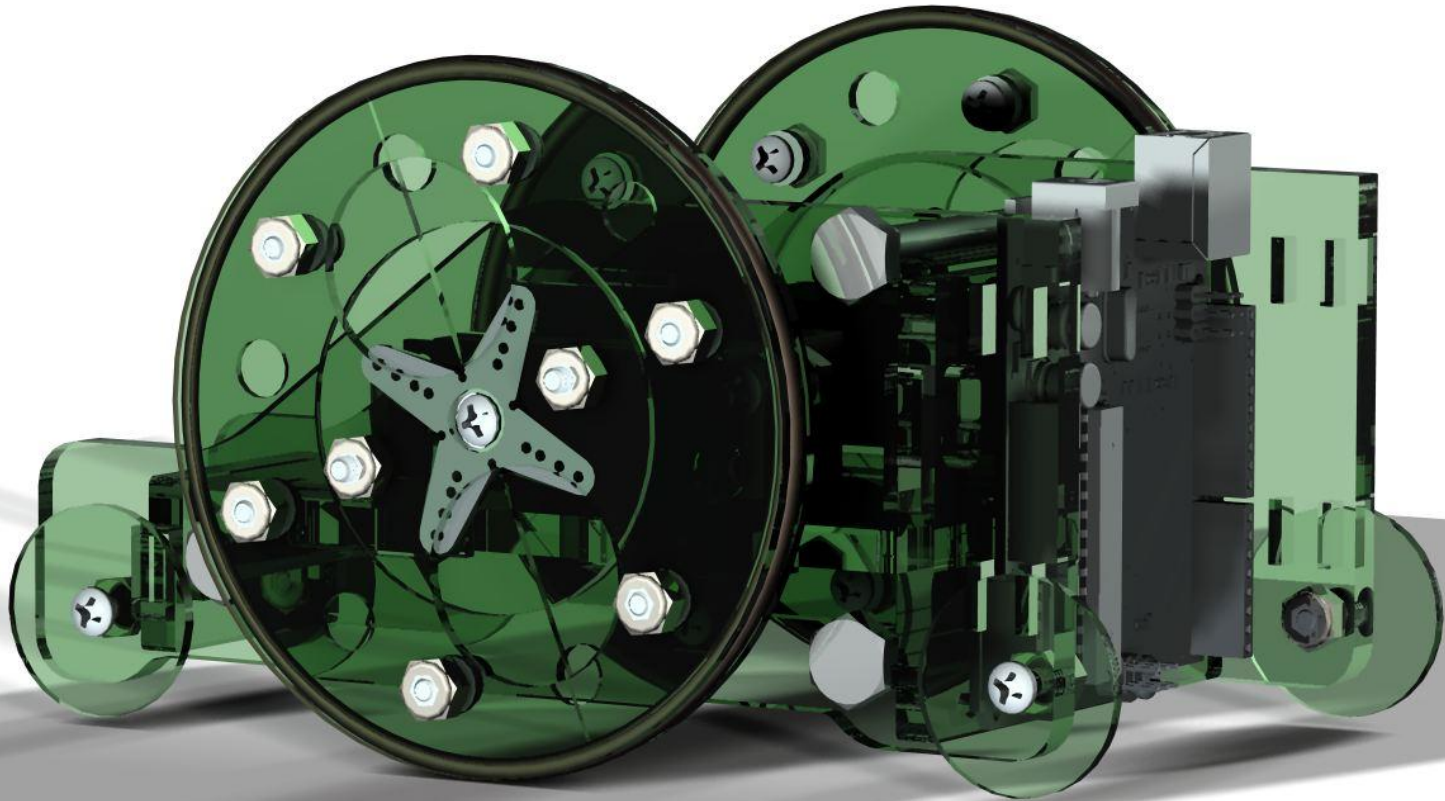
Add Inner Wheel Hub (13)



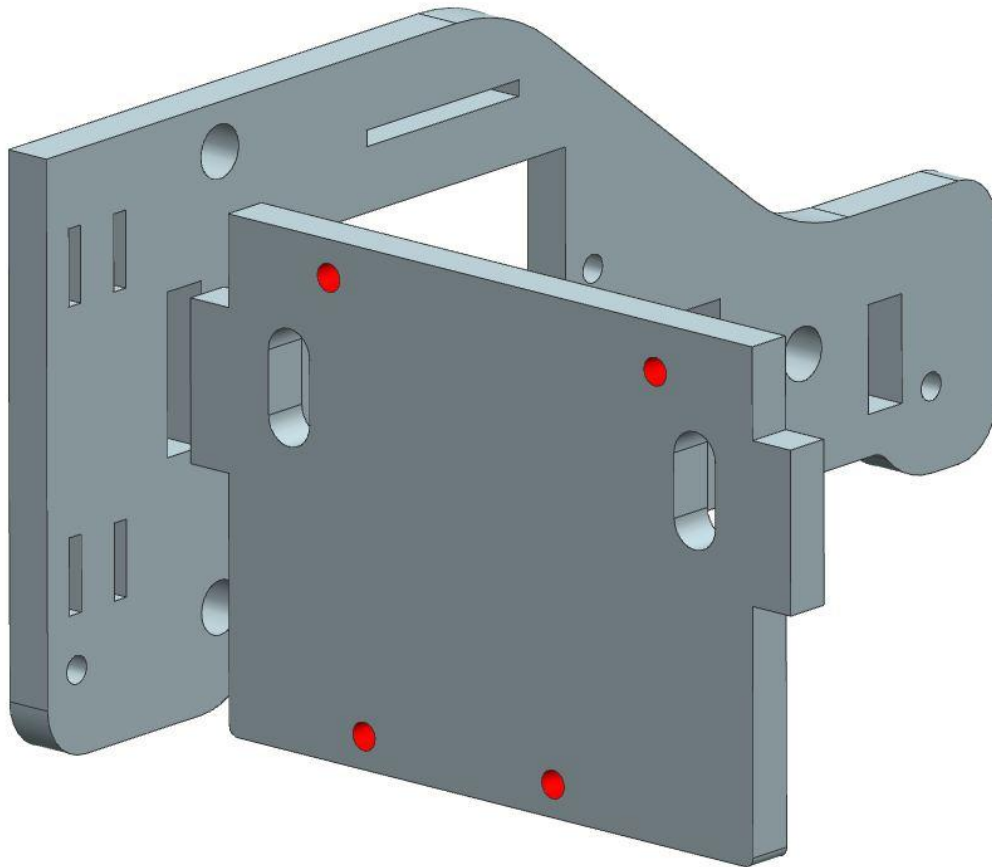
Slip O-Ring (17) into the Wheel Groove



Base Assembly

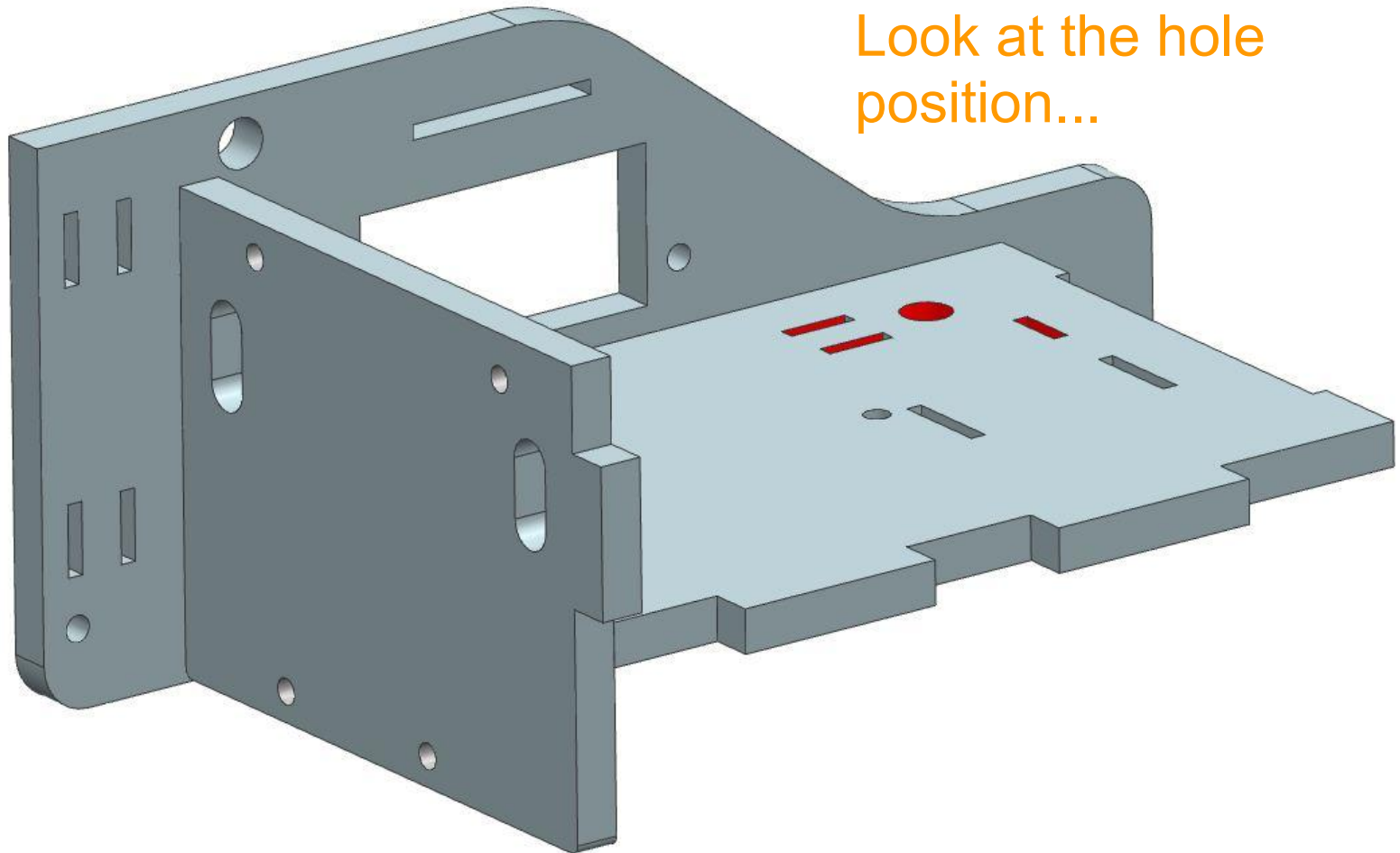


Add the Rear Panel (4) to the Side Panel (1)



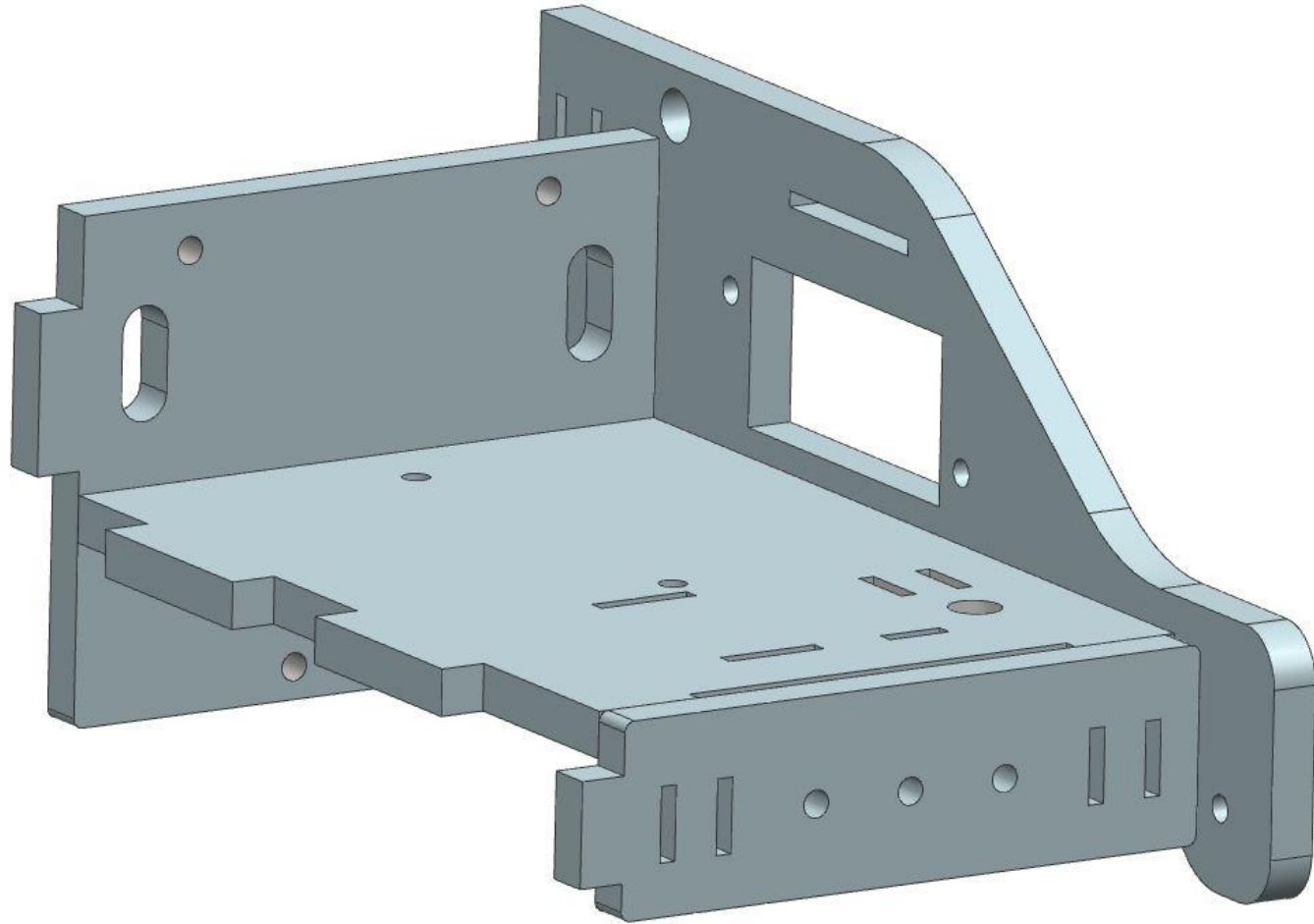
LOOK AT
THE HOLES.
The holes at
the bottom
are shifted to
the left.

Add the Bottom Panel (3)

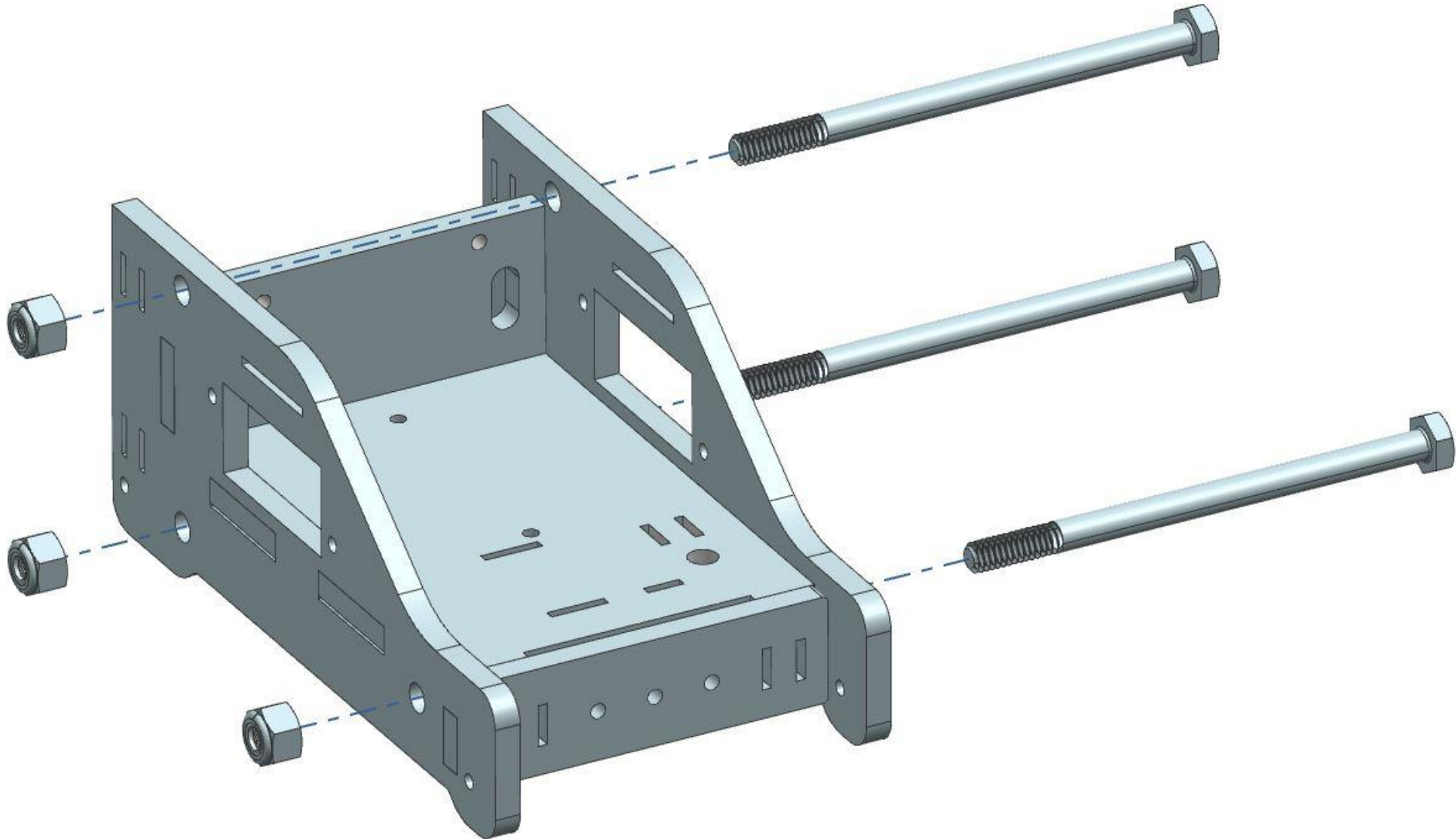


Look at the hole
position...

Add the Front Panel (2)

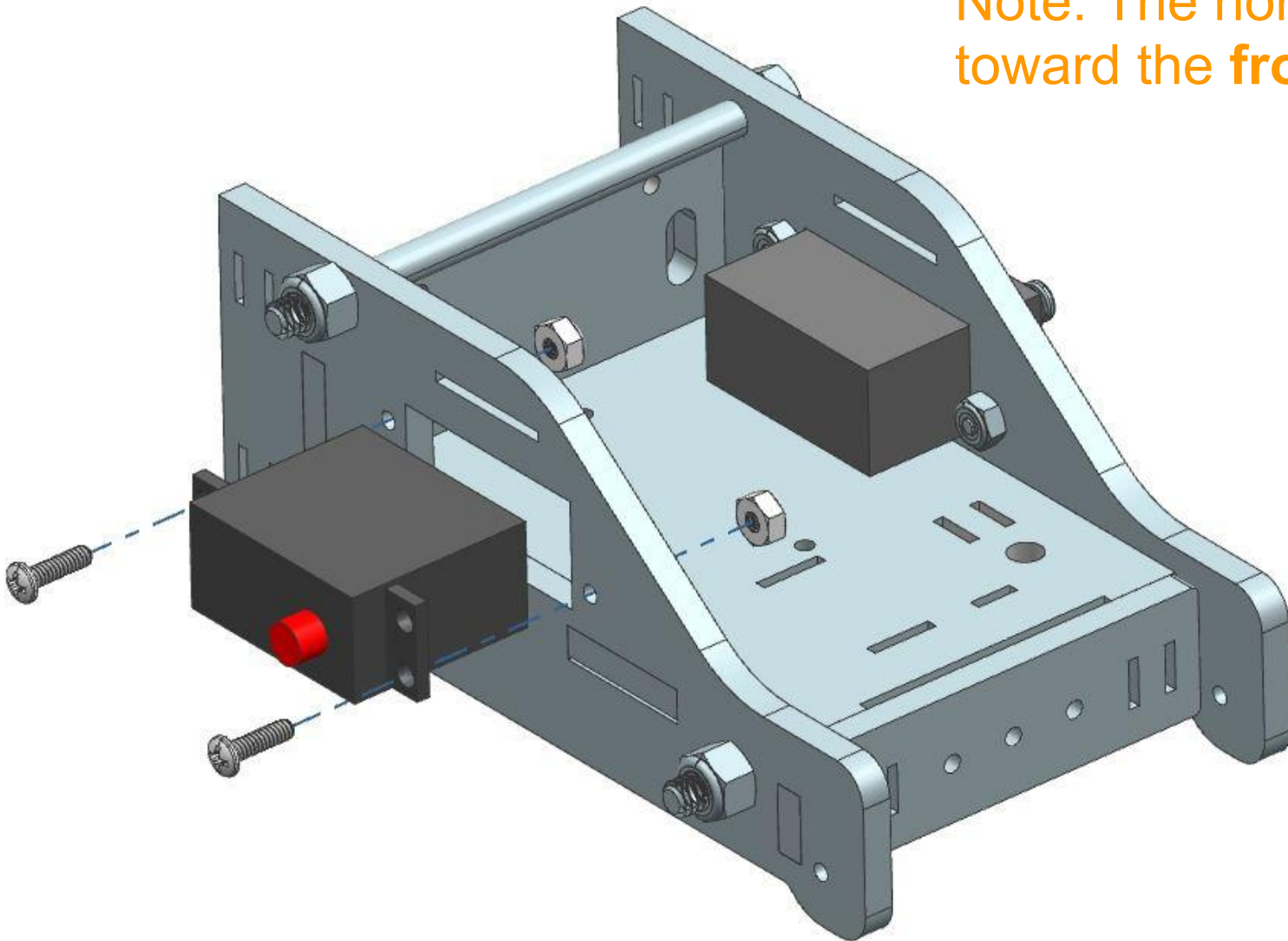


Attach the Remaining Side Panel (1) with Nuts (28) and Bolts (5)

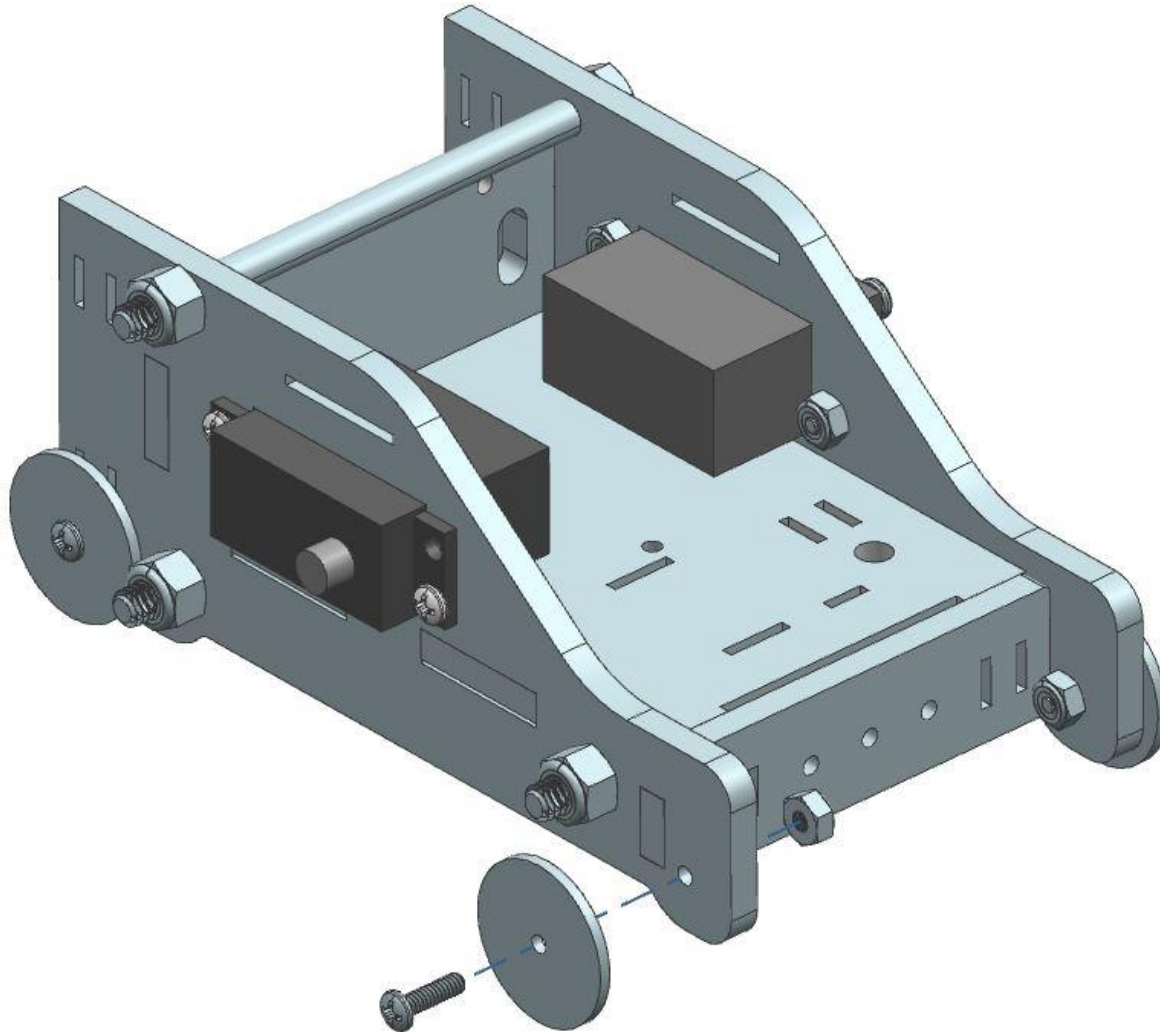


Add Servos Motors

Note: The horn goes toward the **front**.

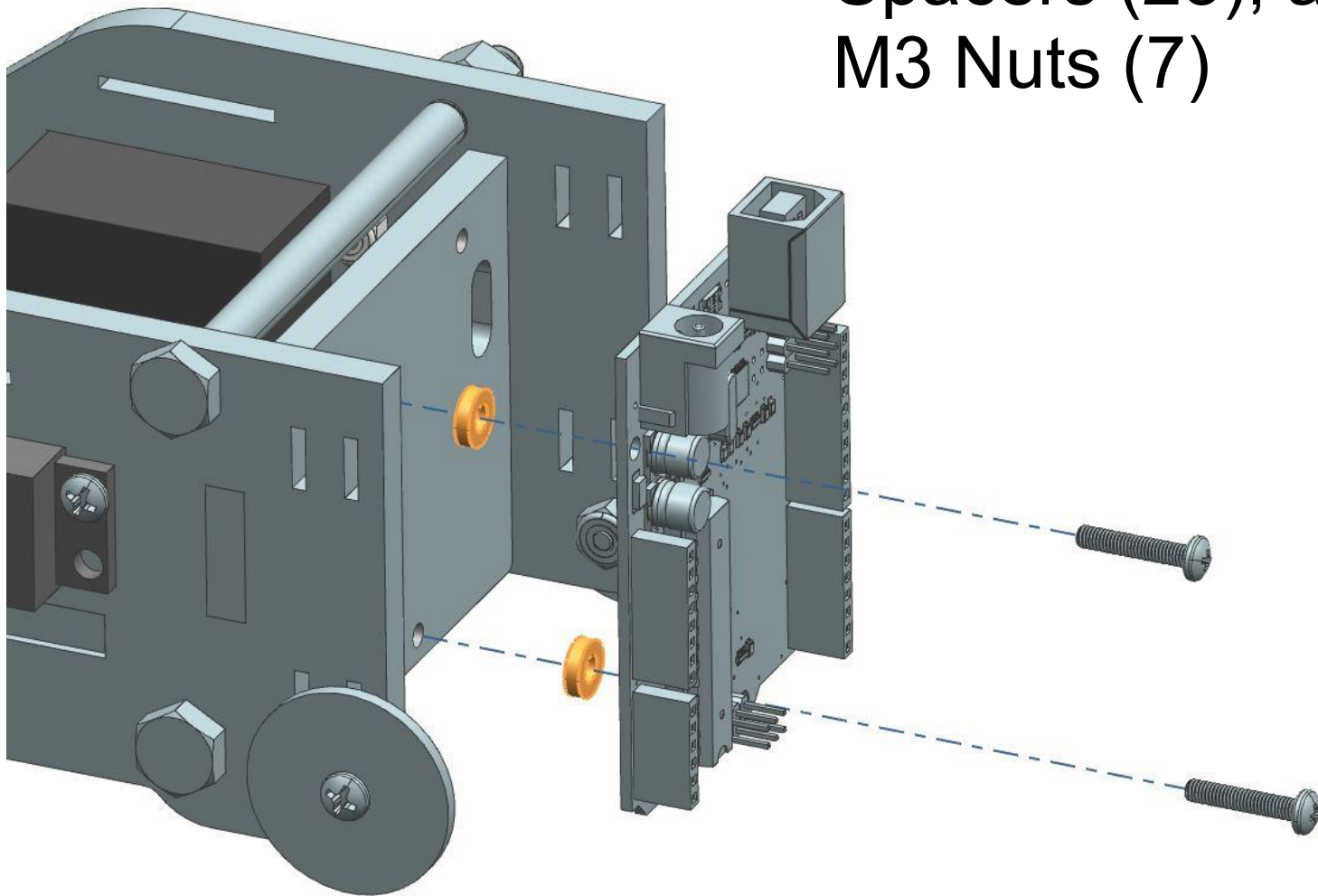


Add Small Wheels (12) with Nuts (9) and Screws (8)

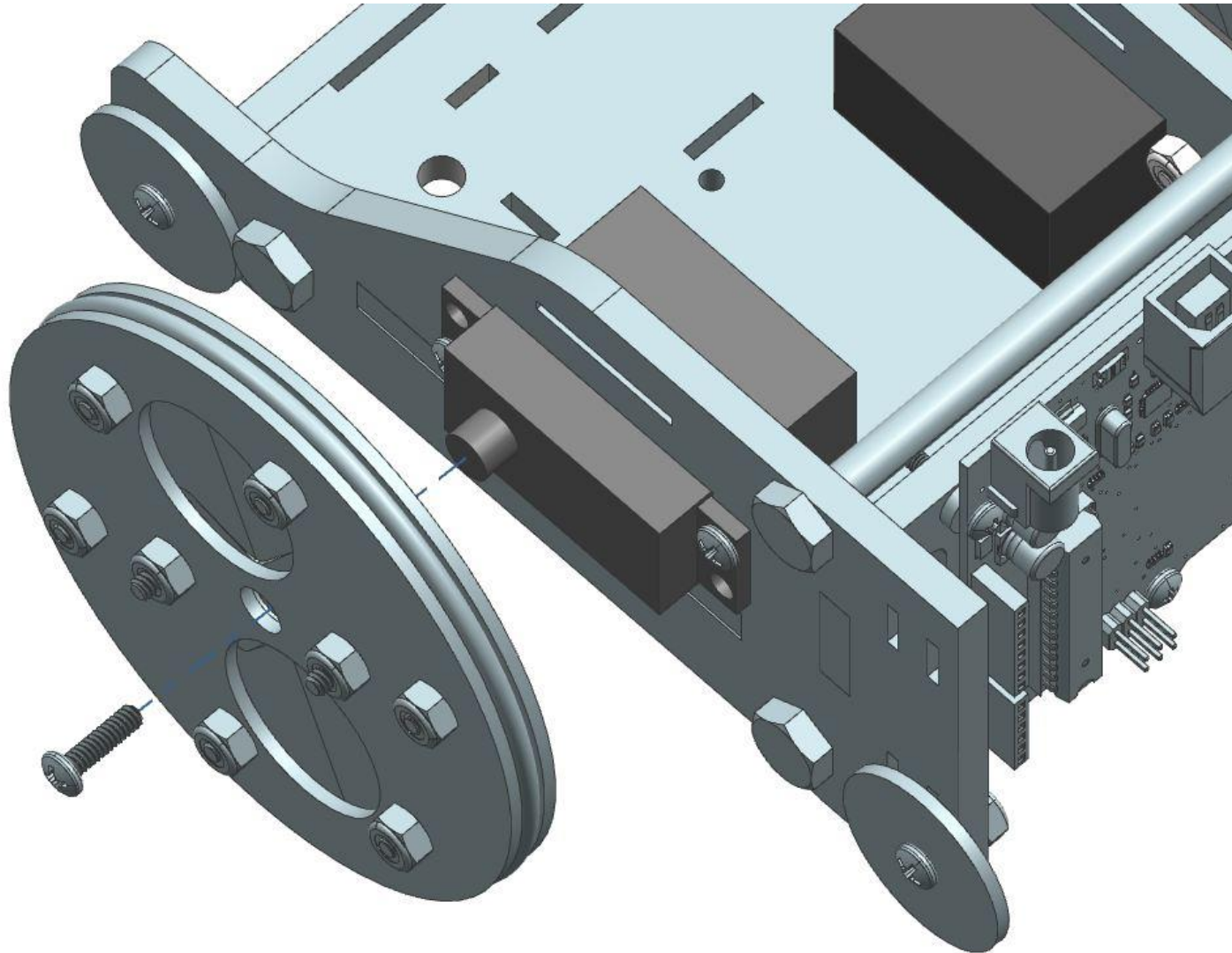


Add Arduino

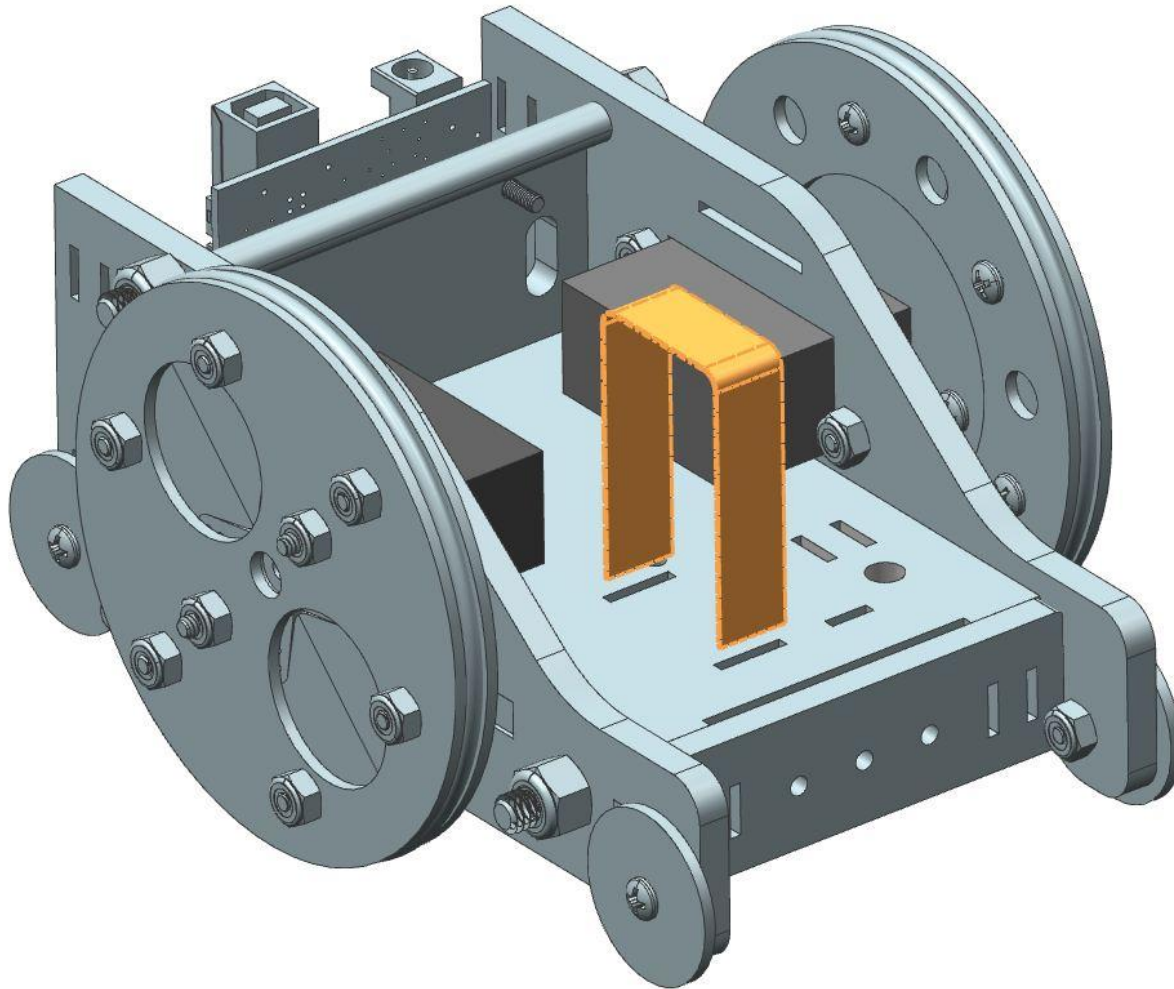
Use M3 Screws (6),
Spacers (23), and
M3 Nuts (7)



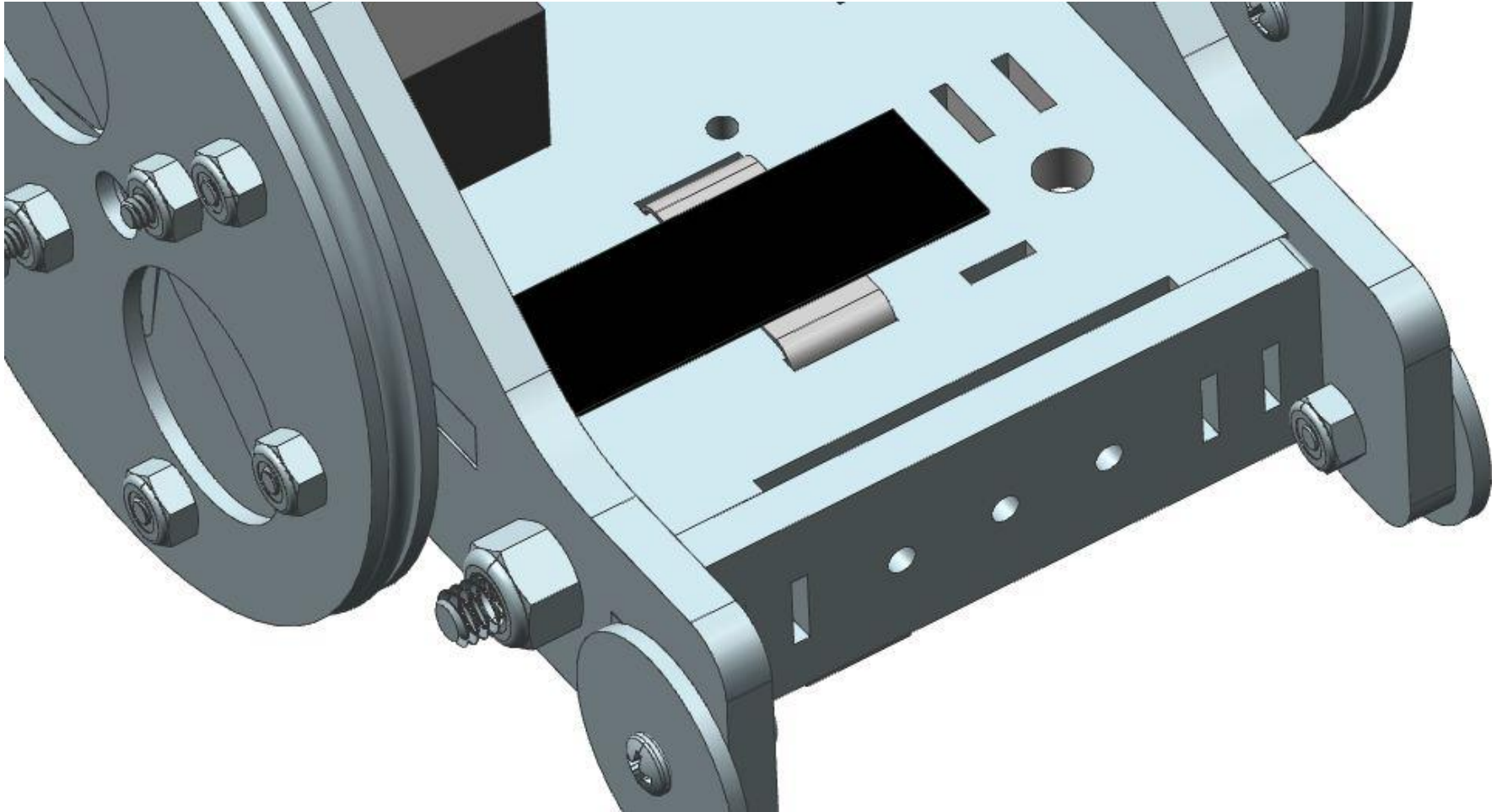
Add Wheel Assembly



Add Velcro Strip (19)



Secure Velcro Strip with Sticky-Back Velcro (21) - Use FUZZY side



The End

